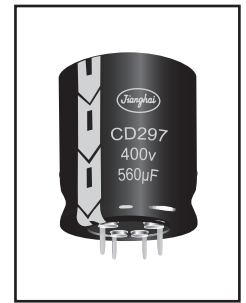
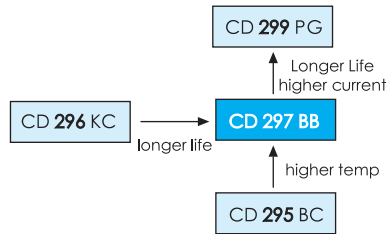


5000h at 105°C

- Extended Lifetime at 105°C
- High Ripple Current
- High Professional Switch Mode Power Supplies
- Frequency Converters



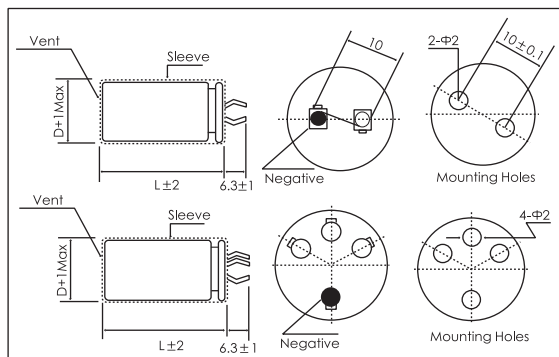
SNAP-IN/LUG

Items	Characteristics	
Operating Temperature Range (°C)	-40 ~ +105	-25 ~ +105
Voltage Range (V)	10 ~ 100	160 ~ 550
Capacitance Range (µF)	47 ~ 56000	
Capacitance Tolerance (20°C, 120Hz)	± 20%	
Leakage Current (µA)	After 5 minutes at 20°C application of rated voltage, leakage current is not more than 0.01CV or 1.5mA, whichever is smaller. C: Nominal Capacitance (µF) V: Rated Voltage (V)	
Dissipation Factor (20°C, 120Hz)	Rated Voltage (V)	10 16 25 35 50 63 80 100 160~400 450~550
	Tan δ (max)	0.55 0.50 0.45 0.40 0.35 0.30 0.25 0.20 0.15 0.20
Stability at Low Temperature (Impedance Ratio at 120Hz)	Rated Voltage (V)	10~100 160~250 315~500
	Z <sub>-25°C</sub> / Z <sub>+20°C</sub>	4 3 8
	Z <sub>-40°C</sub> / Z <sub>+20°C</sub>	15 - -

	Useful Life		Load Life	Endurance Test	Shelf Life
Lifetime	7000h	>200000h	5000h	5000h	1000h
Leakage Current	Not more than specified value		Not more than specified value	Not more than specified value	Not more than specified value
Capacitance Change	Within ± 30% of initial value		Within ± 20% of initial value	Within ± 20% of initial value	Within ± 20% of initial value
Dissipation Factor	Not more than 300% of specified value		Not more than 200% of specified value	Not more than 200% of specified value	Not more than 200% of specified value
Condition: Applied Voltage Applied Current Applied Temperature	U <sub>R</sub> I <sub>R</sub> 105°C	U <sub>R</sub> 1.6 x I <sub>R</sub> 40°C	U <sub>R</sub> I <sub>R</sub> 105°C	U <sub>R</sub> I <sub>R</sub> = 0 105°C	U <sub>R</sub> = 0 U <sub>a</sub> to be applied for 30min I <sub>R</sub> = 0 >24h before measurement 105°C

## Dimensions

mm



## Frequency Coefficient

Rated Voltage (V)	Frequency					
	50/60Hz	120Hz	500Hz	1kHz	10kHz	≥40kHz
10 ~ 100	0.90	1.00	1.10	1.15	1.15	1.15
160 ~ 250	0.80	1.00	1.20	1.30	1.45	1.50
≥315	0.80	1.00	1.20	1.30	1.42	1.45

## Temperature Coefficient

Temperature(°C)	+40	+55	+70	+80	+105
Coefficient	2.7	2.5	2.1	1.7	1.0

# CD 297 BB SERIES



## Ratings for CD 297 BB Series

U <sub>R</sub> (Surge Voltage) Code	Rated Capacitance	Max ESR 20°C, 120Hz	Typ ESR 20°C, 120Hz	Rated Ripple Current 105°C, 120Hz	Size ΦD x L	P/N
10 (13) 1A	8200	89	62	1.36	22 x 25	ECS1ABB822M□□220025
	10000	73	51	1.65	22 x 30	ECS1ABB103M□□220030
	12000	61	43	1.85	22 x 35	ECS1ABB123M□□220035
		61	43	1.82	25 x 25	ECS1ABB123M□□250025
	15000	49	34	2.12	22 x 40	ECS1ABB153M□□220040
		49	34	2.11	25 x 30	ECS1ABB153M□□250030
	18000	49	34	2.14	30 x 25	ECS1ABB153M□□300025
		41	28	2.4	22 x 45	ECS1ABB183M□□220045
	22000	41	28	2.32	25 x 35	ECS1ABB183M□□250035
		33	23	2.59	25 x 40	ECS1ABB223M□□250040
	27000	33	23	2.73	30 x 30	ECS1ABB223M□□300030
		27	19	3.01	25 x 45	ECS1ABB273M□□250045
	33000	27	19	3.13	30 x 35	ECS1ABB273M□□300035
		27	19	3.05	35 x 30	ECS1ABB273M□□350030
	39000	22	16	3.43	25 x 50	ECS1ABB333M□□250050
		22	16	3.53	30 x 40	ECS1ABB333M□□300040
	47000	22	16	3.49	35 x 35	ECS1ABB333M□□350035
		19	13	3.78	30 x 45	ECS1ABB393M□□300045
	56000	19	13	3.96	35 x 40	ECS1ABB393M□□350040
		16	11	4.58	30 x 50	ECS1ABB473M□□300050
56000	16	11	4.6	35 x 45	ECS1ABB473M□□350045	
	13	9	5.06	35 x 50	ECS1ABB563M□□350050	
16 (20) 1C	5600	119	83	1.44	22 x 25	ECS1CBB562M□□220025
	6800	98	68	1.66	22 x 30	ECS1CBB682M□□220030
	8200	81	57	1.67	25 x 25	ECS1CBB822M□□250025
	10000	66	46	2.08	22 x 35	ECS1CBB103M□□220035
		66	46	2.07	25 x 30	ECS1CBB103M□□250030
	12000	55	39	2.36	22 x 40	ECS1CBB123M□□220040
		55	39	2.37	25 x 35	ECS1CBB123M□□250035
	15000	55	39	2.33	30 x 25	ECS1CBB123M□□300025
		44	31	2.69	22 x 45	ECS1CBB153M□□220045
	18000	44	31	2.72	25 x 40	ECS1CBB153M□□250040
		44	31	2.54	30 x 30	ECS1CBB153M□□300030
	22000	37	26	3.06	25 x 45	ECS1CBB183M□□250045
		37	26	3.02	30 x 35	ECS1CBB183M□□300035
	27000	37	26	3.09	35 x 30	ECS1CBB183M□□350030
		30	21	3.39	25 x 50	ECS1CBB223M□□250050
	33000	30	21	3.46	30 x 40	ECS1CBB223M□□300040
		25	17	3.88	30 x 45	ECS1CBB273M□□300045
	39000	25	17	3.85	35 x 35	ECS1CBB273M□□350035
		20	14	4.33	30 x 50	ECS1CBB333M□□300050
	47000	20	14	4.33	35 x 40	ECS1CBB333M□□350040
17		12	4.96	35 x 45	ECS1CBB393M□□350045	
25 (32) 1E	47000	14	10	5.49	35 x 50	ECS1CBB473M□□350050
	3900	153	107	1.31	22 x 25	ECS1EBB392M□□220025
	4700	127	89	1.55	22 x 30	ECS1EBB472M□□220030
	5600	107	75	1.77	22 x 35	ECS1EBB562M□□220035
		107	75	1.76	25 x 25	ECS1EBB562M□□250025
	6800	88	62	2.02	22 x 40	ECS1EBB682M□□220040
		88	62	1.88	25 x 30	ECS1EBB682M□□250030
	8200	73	51	2.27	22 x 45	ECS1EBB822M□□220045
		73	51	2.18	25 x 35	ECS1EBB822M□□250035
	10000	73	51	2.19	30 x 25	ECS1EBB822M□□300025
		60	42	2.56	22 x 50	ECS1EBB103M□□220050
	12000	60	42	2.53	25 x 40	ECS1EBB103M□□250040
		60	42	2.38	30 x 30	ECS1EBB103M□□300030
	15000	50	35	2.79	25 x 45	ECS1EBB123M□□250045
		50	35	2.7	30 x 35	ECS1EBB123M□□300035
	18000	50	35	2.76	35 x 30	ECS1EBB123M□□350030
		40	28	3.13	30 x 40	ECS1EBB153M□□300040
	22000	33	23	3.52	30 x 45	ECS1EBB183M□□300045
		33	23	3.5	35 x 35	ECS1EBB183M□□350035
	27000	27	19	3.92	30 x 50	ECS1EBB223M□□300050
27		19	3.95	35 x 40	ECS1EBB223M□□350040	
3300	22	16	4.72	35 x 50	ECS1EBB273M□□350050	
	197	138	1.29	22 x 25	ECS1VBB272M□□220025	
35 (44) 1V	3300	161	113	1.54	22 x 30	ECS1VBB332M□□220030
	3900	136	95	1.77	22 x 35	ECS1VBB392M□□220035
		136	95	1.75	25 x 25	ECS1VBB392M□□250025
	4700	113	79	2.01	22 x 40	ECS1VBB472M□□220040
		113	79	1.97	25 x 30	ECS1VBB472M□□250030
	5600	95	66	2.25	22 x 45	ECS1VBB562M□□220045
		95	66	2.18	25 x 35	ECS1VBB562M□□250035
	6800	95	66	2.08	30 x 25	ECS1VBB562M□□300025
		78	55	2.49	22 x 50	ECS1VBB682M□□220050
	8200	78	55	2.45	25 x 40	ECS1VBB682M□□250040
		78	55	2.28	30 x 30	ECS1VBB682M□□300030
	10000	65	45	2.8	25 x 45	ECS1VBB822M□□250045
		65	45	2.69	30 x 35	ECS1VBB822M□□300035
	12000	53	37	3.04	30 x 40	ECS1VBB103M□□300040
		53	37	2.78	35 x 30	ECS1VBB103M□□350030
	15000	44	31	3.38	30 x 45	ECS1VBB123M□□300045
		44	31	3.3	35 x 35	ECS1VBB123M□□350035
	18000	35	25	3.98	35 x 40	ECS1VBB153M□□350040
	18000	30	21	4.4	35 x 45	ECS1VBB183M□□350045

U <sub>R</sub> (Surge Voltage) Code	Rated Capacitance	Max ESR 20°C, 120Hz	Typ ESR 20°C, 120Hz	Rated Ripple Current 105°C, 120Hz	Size ΦD x L	P/N
50 (63) 1H	1500	310	217	1.21	22 x 25	ECS1HBB152M□□220025
	2200	211	148	1.52	22 x 30	ECS1HBB222M□□220030
		211	148	1.46	25 x 25	ECS1HBB222M□□250025
	2700	172	120	1.77	22 x 35	ECS1HBB272M□□220035
		172	120	1.76	25 x 30	ECS1HBB272M□□250030
	3300	141	99	2.02	22 x 40	ECS1HBB332M□□220040
		141	99	1.92	30 x 25	ECS1HBB332M□□300025
	3900	119	83	2.27	22 x 45	ECS1HBB392M□□220045
		119	83	2.2	25 x 35	ECS1HBB392M□□250035
	4700	119	83	2.19	30 x 30	ECS1HBB392M□□300030
		99	69	2.43	25 x 40	ECS1HBB472M□□250040
	5600	83	58	2.72	25 x 45	ECS1HBB562M□□250045
		83	58	2.58	30 x 35	ECS1HBB562M□□300035
	6800	83	58	2.35	35 x 30	ECS1HBB562M□□350030
		68	48	3.01	30 x 40	ECS1HBB682M□□300040
	8200	68	48	2.91	35 x 35	ECS1HBB682M□□350035
		57	40	3.63	30 x 50	ECS1HBB822M□□300050
	10000	57	40	3.36	35 x 40	ECS1HBB822M□□350040
		46	33	3.79	35 x 45	ECS1HBB103M□□350045
	12000	39	27	4.06	35 x 50	ECS1HBB123M□□350050
63 (79) 1J	1000	398	279	1.1	22 x 25	ECS1JBB102M□□220025
	1500	265	186	1.41	22 x 30	ECS1JBB152M□□220030
		265	186	1.38	25 x 25	ECS1JBB152M□□250025
	1800	221	155	1.62	22 x 35	ECS1JBB182M□□220035
		221	155	1.63	25 x 30	ECS1JBB182M□□250030
	2200	181	127	1.85	22 x 40	ECS1JBB222M□□220040
		181	127	1.80	30 x 25	ECS1JBB222M□□300025
	2700	147	103	2.1	22 x 45	ECS1JBB272M□□220045
		147	103	2.03	25 x 35	ECS1JBB272M□□250035
	3300	147	103	2.01	30 x 30	ECS1JBB272M□□300030
		121	84	2.33	25 x 40	ECS1JBB332M□□250040
	3900	102	72	2.58	25 x 45	ECS1JBB392M□□250045
		102	72	2.46	30 x 35	ECS1JBB392M□□300035
	4700	102	72	2.31	35 x 30	ECS1JBB392M□□350030
		85	59	2.82	30 x 40	ECS1JBB472M□□300040
	5600	85	59	2.77	35 x 35	ECS1JBB472M□□350035
		71	50	3.22	30 x 45	ECS1JBB562M□□300045
	6800	71	50	3.2	35 x 40	ECS1JBB562M□□350040
		59	41	3.61	35 x 45	ECS1JBB682M□□350045
	8200	49	34	3.94	35 x 50	ECS1JBB822M□□350050
80 (100) 1K	820	405	283	1.09	22 x 25	ECS1KBB821M□□220025
	1000	332	232	1.29	22 x 30	ECS1KBB102M□□220030
	1200	277	194	1.48	22 x 35	ECS1KBB122M□□220035
		277	194	1.38	25 x 25	ECS1KBB122M□□250025
	1500	221	155	1.7	22 x 40	ECS1KBB152M□□220040
		221	155	1.74	25 x 30	ECS1KBB152M□□250030
	1800	221	155	1.75	30 x 25	ECS1KBB152M□□300025
		184	129	1.91	22 x 45	ECS1KBB182M□□220045
	2200	184	129	1.86	25 x 35	ECS1KBB182M□□250035
		151	106	2.22	25 x 45	ECS1KBB222M□□250045
	2700	151	106	2.02	30 x 30	ECS1KBB222M□□300030
		123	86	2.50	30 x 35	ECS1KBB272M□□300035
	3300	123	86	2.45	35 x 30	ECS1KBB272M□□350030
		101	70	2.69	30 x 40	ECS1KBB332M□□300040
	3900	101	70	2.6	35 x 35	ECS1KBB332M□□350035
		85	60	2.94	30 x 45	ECS1KBB392M□□300045
	4700	85	60	3	35 x 40	ECS1KBB392M□□350040
		71	49	3.44	35 x 45	ECS1KBB472M□□350045
	5600	59	42	3.72	35 x 50	ECS1KBB562M□□350050
	100 (125) 2A	560	474	332	1.01	22 x 25
680		390	273	1.19	22 x 30	ECS2ABB681M□□220030
820		324	227	1.33	22 x 35	ECS2ABB821M□□220035
		324	227	1.26	25 x 25	ECS2ABB821M□□250025
1000		265	186	1.56	22 x 40	ECS2ABB102M□□220040
		265	186	1.52	25 x 30	ECS2ABB102M□□250030
1200		265	186	1.47	30 x 25	ECS2ABB102M□□300025
		221	155	1.76	22 x 45	ECS2ABB122M□□220045
1500		221	155	1.76	25 x 35	ECS2ABB122M□□250035
		221	155	1.76	30 x 30	ECS2ABB122M□□300030
1800		177	124	2	22 x 50	ECS2ABB152M□□220050
		177	12			

## Ratings for CD 297 BB Series

U <sub>R</sub> (Surge Voltage) Code	Rated Capacitance	Max ESR 20°C, 120Hz	Typ ESR 20°C, 120Hz	Rated Ripple Current 105°C, 120Hz	Size ΦD x L	P/N
(V)	(μF)	(mΩ)	(mΩ)	(Arms)	(mm)	-
160 (200) 2C	390	510	357	0.97	25 × 30	ECS2CBB391M□□250030
		510	357	1	30 × 25	ECS2CBB391M□□300025
	470	424	296	1.11	22 × 40	ECS2CBB471M□□220040
		424	296	1.14	25 × 35	ECS2CBB471M□□250035
		424	296	1.17	30 × 30	ECS2CBB471M□□300030
	560	355	249	1.26	22 × 45	ECS2CBB561M□□220045
	680	293	205	1.44	22 × 50	ECS2CBB681M□□220050
		293	205	1.43	25 × 40	ECS2CBB681M□□250040
		293	205	1.5	30 × 35	ECS2CBB681M□□300035
	820	243	170	1.63	25 × 45	ECS2CBB821M□□250045
		243	170	1.66	30 × 40	ECS2CBB821M□□300040
		243	170	1.63	35 × 30	ECS2CBB821M□□350030
	1000	199	139	1.89	30 × 45	ECS2CBB102M□□300045
		199	139	1.89	35 × 35	ECS2CBB102M□□350035
	1200	166	116	2.16	30 × 50	ECS2CBB122M□□300050
		166	116	2.23	35 × 40	ECS2CBB122M□□350040
	1500	133	93	2.61	35 × 45	ECS2CBB152M□□350045
	1800	111	77	2.97	35 × 50	ECS2CBB182M□□350050
180 (225) 2K	220	905	633	0.63	22 × 25	ECS2KBB221M□□220025
		737	516	0.76	22 × 30	ECS2KBB271M□□220030
	270	737	516	0.76	25 × 25	ECS2KBB271M□□250025
		603	422	0.9	22 × 35	ECS2KBB331M□□220035
	330	603	422	0.9	25 × 30	ECS2KBB331M□□250030
		510	357	1.03	22 × 40	ECS2KBB391M□□220040
	390	510	357	1.06	25 × 35	ECS2KBB391M□□250035
		510	357	1.02	30 × 25	ECS2KBB391M□□300025
		424	296	1.17	22 × 45	ECS2KBB471M□□220045
	470	424	296	1.17	30 × 30	ECS2KBB471M□□300030
		355	249	1.32	22 × 50	ECS2KBB561M□□220050
	560	355	249	1.32	25 × 40	ECS2KBB561M□□250040
		355	249	1.33	30 × 35	ECS2KBB561M□□300035
		293	205	1.51	25 × 45	ECS2KBB681M□□250045
	680	293	205	1.49	35 × 30	ECS2KBB681M□□350030
		243	170	1.71	25 × 50	ECS2KBB821M□□250050
	820	243	170	1.74	30 × 40	ECS2KBB821M□□300040
		243	170	1.75	35 × 35	ECS2KBB821M□□350035
199		139	2.01	30 × 45	ECS2KBB102M□□300045	
1000	199	139	2.07	35 × 40	ECS2KBB102M□□350040	
	166	116	2.25	30 × 50	ECS2KBB122M□□300050	
1200	166	116	2.23	35 × 45	ECS2KBB122M□□350045	
1500	133	93	2.76	35 × 50	ECS2KBB152M□□350050	
200 (250) 2D	180	1106	774	0.57	22 × 25	ECS2DBB181M□□220025
		220	905	633	0.7	22 × 30
	270	737	516	0.83	22 × 35	ECS2DBB271M□□220035
		737	516	0.76	25 × 25	ECS2DBB271M□□250025
	330	603	422	0.96	22 × 40	ECS2DBB331M□□220040
		603	422	0.9	25 × 30	ECS2DBB331M□□250030
	390	510	357	1.06	25 × 35	ECS2DBB391M□□250035
		510	357	1.02	30 × 25	ECS2DBB391M□□300025
	470	424	296	1.17	22 × 45	ECS2DBB471M□□220045
		424	296	1.22	25 × 40	ECS2DBB471M□□250040
		424	296	1.17	30 × 30	ECS2DBB471M□□300030
	560	355	249	1.39	25 × 45	ECS2DBB561M□□250045
		355	249	1.38	30 × 35	ECS2DBB561M□□300035
	680	293	205	1.58	25 × 50	ECS2DBB681M□□250050
		293	205	1.61	30 × 40	ECS2DBB681M□□300040
		293	205	1.49	35 × 30	ECS2DBB681M□□350030
	820	243	170	1.85	30 × 45	ECS2DBB821M□□300045
		243	170	1.75	35 × 35	ECS2DBB821M□□350035
1000	199	139	2.11	30 × 50	ECS2DBB102M□□300050	
	199	139	2.07	35 × 40	ECS2DBB102M□□350040	
1200	166	116	2.38	35 × 45	ECS2DBB122M□□350045	
1500	133	93	2.76	35 × 50	ECS2DBB152M□□350050	

U <sub>R</sub> (Surge Voltage) Code	Rated Capacitance	Max ESR 20°C, 120Hz	Typ ESR 20°C, 120Hz	Rated Ripple Current 105°C, 120Hz	Size ΦD x L	P/N
(V)	(μF)	(mΩ)	(mΩ)	(Arms)	(mm)	-
250 (300) 2E	150	1327	929	0.52	22 × 25	ECS2EBB151M□□220025
		1106	774	0.64	22 × 30	ECS2EBB181M□□220030
	180	1106	774	0.62	25 × 25	ECS2EBB181M□□250025
		905	633	0.76	22 × 35	ECS2EBB221M□□220035
		905	633	0.76	25 × 30	ECS2EBB221M□□250030
	220	737	516	0.88	22 × 40	ECS2EBB271M□□220040
		737	516	0.9	25 × 35	ECS2EBB271M□□250035
		737	516	0.85	30 × 25	ECS2EBB271M□□300025
	330	603	422	1.01	22 × 45	ECS2EBB331M□□220045
		603	422	1	30 × 30	ECS2EBB331M□□300030
		510	357	1.13	22 × 50	ECS2EBB391M□□220050
	390	510	357	1.13	25 × 40	ECS2EBB391M□□250040
		510	357	1.15	30 × 35	ECS2EBB391M□□300035
		424	296	1.29	25 × 45	ECS2EBB471M□□250045
	470	424	296	1.24	35 × 30	ECS2EBB471M□□350030
		355	249	1.45	25 × 50	ECS2EBB561M□□250050
		355	249	1.48	30 × 40	ECS2EBB561M□□300040
	560	355	249	1.49	35 × 35	ECS2EBB561M□□350035
293		205	1.71	30 × 45	ECS2EBB681M□□300045	
293		205	1.74	35 × 40	ECS2EBB681M□□350040	
680	293	205	1.74	35 × 40	ECS2EBB681M□□350040	
	820	243	1.70	1.94	30 × 50	ECS2EBB821M□□300050
	1000	199	139	2.2	35 × 45	ECS2EBB102M□□350045
315 (365) 2F	68	2927	1610	0.32	22 × 25	ECS2FBB680M□□220025
		82	2427	1334	0.38	22 × 30
	100	1990	1095	0.41	25 × 25	ECS2FBB101M□□250025
		1659	912	0.48	22 × 35	ECS2FBB121M□□220035
	120	1659	912	0.49	25 × 30	ECS2FBB121M□□250030
		1327	730	0.56	22 × 40	ECS2FBB151M□□220040
	150	1327	730	0.51	30 × 25	ECS2FBB151M□□300025
		1106	608	0.63	22 × 45	ECS2FBB181M□□220045
		1106	608	0.62	25 × 35	ECS2FBB181M□□250035
	180	1106	608	0.63	30 × 30	ECS2FBB181M□□300030
		905	498	0.72	22 × 50	ECS2FBB221M□□220050
		905	498	0.71	25 × 40	ECS2FBB221M□□250040
	220	905	498	0.74	30 × 35	ECS2FBB221M□□300035
		737	406	0.81	25 × 45	ECS2FBB271M□□250045
		737	406	0.85	30 × 40	ECS2FBB271M□□300040
	270	737	406	0.82	35 × 30	ECS2FBB271M□□350030
		603	332	0.92	25 × 50	ECS2FBB331M□□250050
		693	332	0.9	35 × 35	ECS2FBB331M□□350035
330	510	281	1.04	30 × 45	ECS2FBB391M□□300045	
	510	281	1.05	35 × 40	ECS2FBB391M□□350040	
	424	233	1.15	30 × 50	ECS2FBB471M□□300050	
470	424	233	1.18	35 × 45	ECS2FBB471M□□350045	
	355	196	1.34	35 × 50	ECS2FBB561M□□350050	
	68	2927	1610	0.34	22 × 25	ECS2VBB680M□□220025
82	2427	1334	0.4	22 × 30	ECS2VBB820M□□220030	
	100	1990	1095	0.47	25 × 25	ECS2VBB101M□□250025
120	1659	912	0.52	22 × 35	ECS2VBB121M□□220035	
	1659	912	0.53	25 × 30	ECS2VBB121M□□250030	
	1659	912	0.53	30 × 25	ECS2VBB121M□□300025	
150	1327	730	0.59	22 × 40	ECS2VBB151M□□220040	
	1327	730	0.6	25 × 35	ECS2VBB151M□□250035	
	1106	608	0.68	22 × 45	ECS2VBB181M□□220045	
180	1106	608	0.7	25 × 40	ECS2VBB181M□□250040	
	1106	608	0.71	30 × 30	ECS2VBB181M□□300030	
	905	498	0.78	22 × 50	ECS2VBB221M□□220050	
220	905	498	0.82	25 × 45	ECS2VBB221M□□250045	
	905	498	0.82	30 × 35	ECS2VBB221M□□300035	
	737	406	0.94	25 × 50	ECS2VBB271M□□250050	
270	737	406	0.93	30 × 40	ECS2VBB271M□□300040	
	737	406	0.9	35 × 30	ECS2VBB271M□□350030	
	603	332	1.05	30 × 45	ECS2VBB331M□□300045	
330	603	332	1.01	35 × 35	ECS2VBB331M□□350035	

# CD 297 BB SERIES



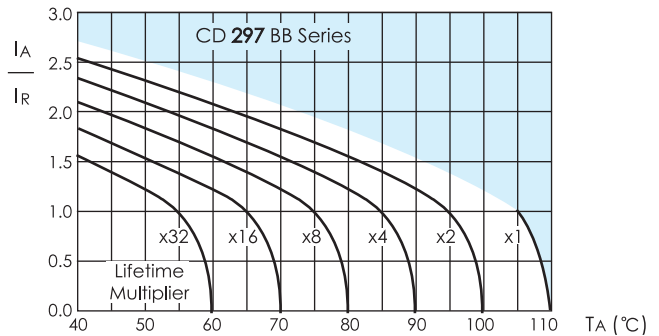
## Ratings for CD 297 BB Series

$U_R$ (Surge Voltage) Code	Rated Capacitance	Max ESR 20°C, 120Hz	Typ ESR 20°C, 120Hz	Rated Ripple Current 105°C, 120Hz	Size ΦD x L	P/N	
(V)	(μF)	(mΩ)	(mΩ)	(Arms)	(mm)	-	
350 (400) 2V	390	6510	281	1.18	30 x 50	ECS2VBB391M□□300050	
		510	281	1.13	35 x 40	ECS2VBB391M□□350040	
	470	424	233	1.26	35 x 45	ECS2VBB471M□□350045	
		560	355	196	1.39	35 x 50	ECS2VBB561M□□350050
400 (450) 2G	68	2927	1522	0.38	22 x 30	ECS2GBB680M□□220030	
		82	2427	1262	0.41	25 x 25	ECS2GBB820M□□250025
		100	1990	1035	0.46	22 x 35	ECS2GBB101M□□220035
			1990	1035	0.48	25 x 30	ECS2GBB101M□□250030
	1990		1035	0.48	30 x 25	ECS2GBB101M□□300025	
	120	1659	863	0.53	22 x 40	ECS2GBB121M□□220040	
		1659	863	0.55	25 x 35	ECS2GBB121M□□250035	
		1659	863	0.56	30 x 30	ECS2GBB121M□□300030	
	150	1327	690	0.63	22 x 50	ECS2GBB151M□□220050	
		1327	690	0.65	25 x 40	ECS2GBB151M□□250040	
		180	1106	575	0.72	25 x 45	ECS2GBB181M□□250045
			1106	575	0.74	30 x 35	ECS2GBB181M□□300035
	220	905	471	0.79	25 x 50	ECS2GBB221M□□250050	
		905	471	0.85	30 x 40	ECS2GBB221M□□300040	
		905	471	0.89	35 x 30	ECS2GBB221M□□350030	
	270	737	383	0.98	30 x 45	ECS2GBB271M□□300045	
		737	383	0.96	35 x 35	ECS2GBB271M□□350035	
	330	603	314	1.12	30 x 50	ECS2GBB331M□□300050	
		603	314	1.12	35 x 40	ECS2GBB331M□□350040	
	390	510	265	1.27	35 x 45	ECS2GBB391M□□350045	
	470	424	220	1.33	35 x 50	ECS2GBB471M□□350050	
	450 (500) 2W	68	3903	1951	0.38	22 x 30	ECS2WBB680M□□220030
			3237	1618	0.44	22 x 35	ECS2WBB820M□□220035
			3237	1618	0.45	25 x 30	ECS2WBB820M□□250030
82		3237	1618	0.46	30 x 25	ECS2WBB820M□□300025	
		2654	1327	0.5	22 x 40	ECS2WBB101M□□220040	
		2654	1327	0.52	25 x 35	ECS2WBB101M□□250035	
100		2212	1106	0.58	22 x 50	ECS2WBB121M□□220050	
		2212	1106	0.58	25 x 40	ECS2WBB121M□□250040	
		2212	1106	0.58	30 x 30	ECS2WBB121M□□300030	
150		1769	884	0.66	25 x 45	ECS2WBB151M□□250045	
		1769	884	0.68	30 x 35	ECS2WBB151M□□300035	
180		1474	737	0.74	25 x 50	ECS2WBB181M□□250050	
		1474	737	0.77	30 x 40	ECS2WBB181M□□300040	
		1474	737	0.77	35 x 30	ECS2WBB181M□□350030	
220		1206	603	0.88	30 x 45	ECS2WBB221M□□300045	
		1206	603	0.88	35 x 35	ECS2WBB221M□□350035	
270		983	491	0.99	30 x 50	ECS2WBB271M□□300050	
		983	491	1.01	35 x 40	ECS2WBB271M□□350040	
330		804	402	1.15	35 x 45	ECS2WBB331M□□350045	
390		681	340	1.28	35 x 50	ECS2WBB391M□□350050	
470		565	282	1.50	35 x 55	ECS2WBB471M□□350055	
500 (550) 2H		47	5647	2823	0.41	22 x 30	ECS2HBB470M□□220030
			56	4739	2370	0.47	22 x 30
		68	3903	1951	0.54	22 x 35	ECS2HBB680M□□220035
	3903		1951	0.54	25 x 30	ECS2HBB680M□□250030	
	82	3237	1618	0.62	22 x 40	ECS2HBB820M□□220040	
		3237	1618	0.62	25 x 35	ECS2HBB820M□□250035	
	100	2654	1327	0.67	22 x 45	ECS2HBB101M□□220045	
		2654	1327	0.67	25 x 40	ECS2HBB101M□□250040	
		2654	1327	0.67	30 x 30	ECS2HBB101M□□300030	
	120	2212	1106	0.77	22 x 50	ECS2HBB121M□□220050	
		2212	1106	0.74	25 x 40	ECS2HBB121M□□250040	
		2212	1106	0.77	30 x 35	ECS2HBB121M□□300035	
		2212	1106	0.80	35 x 30	ECS2HBB121M□□350030	
	150	1769	885	0.82	25 x 45	ECS2HBB151M□□250045	
		1769	885	0.85	30 x 40	ECS2HBB151M□□300040	
		1769	885	0.67	35 x 30	ECS2HBB151M□□350030	
		1769	885	0.85	35 x 35	ECS2HBB151M□□350035	
	180	1474	737	0.98	25 x 50	ECS2HBB181M□□250050	
		1474	737	1.01	30 x 45	ECS2HBB181M□□300045	
	220	1206	603	1.12	30 x 50	ECS2HBB221M□□300050	
		1206	603	0.94	35 x 35	ECS2HBB221M□□350035	
		1206	603	1.12	35 x 40	ECS2HBB221M□□350040	
	270	983	492	1.25	30 x 50	ECS2HBB271M□□300050	
		983	492	1.25	35 x 40	ECS2HBB271M□□350040	
330	804	402	1.36	35 x 45	ECS2HBB331M□□350045		
390	681	340	1.54	35 x 50	ECS2HBB391M□□350050		
470	565	282	1.69	35 x 60	ECS2HBB471M□□350060		

$U_R$ (Surge Voltage) Code	Rated Capacitance	Max ESR 20°C, 120Hz	Typ ESR 20°C, 120Hz	Rated Ripple Current 105°C, 120Hz	Size ΦD x L	P/N
(V)	(μF)	(mΩ)	(mΩ)	(Arms)	(mm)	-
550 (600) 2Y	150	1769	885	0.92	30 x 40	ECS2YBB151M□□300040
		1474	737	1.03	30 x 50	ECS2YBB181M□□300050
	180	1474	737	1.03	35 x 35	ECS2YBB181M□□350035
		1206	603	1.15	30 x 55	ECS2YBB221M□□300055
	220	1206	603	1.15	35 x 40	ECS2YBB221M□□350040
		983	492	1.30	35 x 45	ECS2YBB271M□□350045
	330	804	402	1.48	35 x 50	ECS2YBB331M□□350050
	390	681	340	1.65	35 x 60	ECS2YBB391M□□350060
	470	565	282	1.92	35 x 70	ECS2YBB471M□□350070
		473	237	2.05	35 x 80	ECS2YBB561M□□350080
	560	473	237	2.05	40 x 70	ECS2YBB561M□□400070

Customer products are available on request.

## Lifetime Diagram



$I_A$  = actual ripple current at 120Hz,  $I_R$  = rated ripple current at 120Hz, 105°C  
Multiplier of Useful Life as a function of ambient temperature and ripple current load