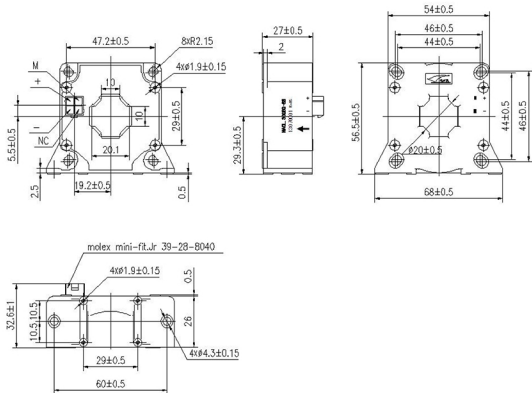


(@I _p =0, T _A =25°C)	Offset current	
零点温漂 IOT	Thermal drift	≤ ±0.70mA (-40°C~+85°C)
响应时间 t _r	Response time to 90% of I _{PN} step	≤ 1us
di/dt 精确度	di/dt Accurately followed	> 100A/us
频率带宽 BW	Frequency bandwidth(-1dB)	DC..100kHz

一般数据 General data

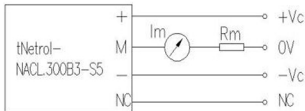
工作温度 T _a	Ambient operating temperature	-40°C~+85°C
储存温度 T _s	Ambient storage temperature	-40°C~+90°C
电气间隙	Clearance distance dCl mm	8.2
爬电距离	Creepage distance dCp mm	21.1
重量 m	Mass	≤110g

外形图 Dimensions (in mm)



电气连接 Connection

Connection of secondary: MOLEX MINI-fit.Jr 39-28-8040



机械特征 Mechanical characteristics		备注 Remark
未注公差 General tolerance	±1 mm	1. 当测量电流方向与传感器上标示的 方向一致时，传感器输出 I_{SN} 为正。When measuring the current direction of arrow mark on direction and sensor, the sensor output I_{SN} is positive.
传感器安装方式一(推荐) Transducer fastening (Recommended)	4 hole $\varnothing 4.3\text{mm}$ 4 M4 steel screws	2. 产品二次侧连接线优选屏蔽线，屏蔽层接近产品端连接线可接机壳，负电源或电源 0V。Product secondary side connecting line optimization shielding wire, cable shielding layer close to the product end can connect chassis, negative power or power 0 v.
传感器安装方式二(推荐) Transducer fastening (Recommended)	2 hole $\varnothing 4.3\text{mm}$ 2 M4 steel screws	3. 电量传感器安装螺钉孔的垂直度要求：要求在国家标准 8 级或以上(或 0.06 以下)。Power sensor mounting screw hole of the vertical degree requirements: requirements in the national standard grade 8 or above (or below 0.06).
推荐力矩 Recommended fastening torque	3.2 N · m	4. 电量传感器安装面平面度要求：Sensor mounting surface flatness requirements: (a).大平面安装平面度国家标准 11 级或以上(或平面起伏小于 0.25mm)；Planeness national standard installation grade 11 or above (or surface fluctuation is less than 0.25 mm)； (b).安装面加有小圆凸台设计时平面度要求达国家标准 12 级或以上(或平面起伏小于 0.5mm)；When mounting surface with a small round convex platform design flatness requirement of national standard grade 12 or more (or less than 0.5 mm) in plane ups and downs;
母排尺寸(推荐) Bus bar (Recommended)	$\varnothing 20\text{mm}$	
次边电气连接 Connection of secondary	Molex mini fit 5566	5. 未注公差 ±1mm；Did not note the tolerance + / - 1 mm；