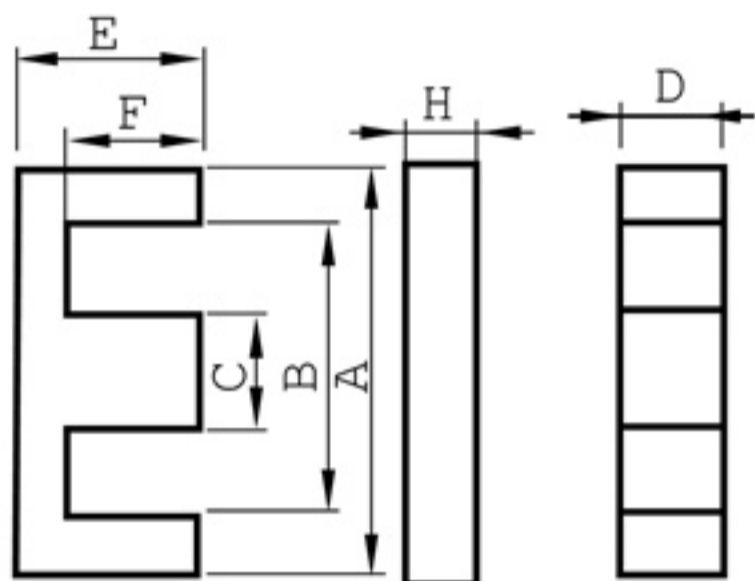


适用材料R2KB、R2KB1



型号	A (mm)	B _{min} (mm)	C (mm)	D (mm)	E (mm)	F _{min} (mm)	H (mm)
EI12/3/3	12.0 _{±0.3}	7.7	3.0 _{-0.4}	3.0 _{-0.4}	7.6 _{±0.4}	5.3	2.0 _{±0.1}
EI16/5/6	16.0 _{±0.3}	11.7	4.2 _{-0.4}	5.1 _{-0.5}	12.3 _{±0.4}	9.9	2.05 _{±0.2}
EI19/5/5	19.0 _{±0.3}	13.7	5.1 _{-0.5}	5.1 _{-0.5}	13.6 _{±0.6}	11	2.35 _{±0.2}
EI22/6	22.0 _{±0.5}	15.6	5.8 _{-0.6}	5.8 _{-0.4}	15.1 _{+0.4}	11.1	4.0 _{±0.2}
EI25/7/7	25.0 _{±0.5}	18.0	7.1 _{-0.6}	7.0 _{-0.5}	16.8 _{+0.5}	13.0	3.5 _{±0.3}
EI25/7	25.3 _{±0.5}	18.6	6.8 _{-0.6}	7.0 _{-0.5}	15.1 _{+0.4}	12.1	2.7 _{±0.2}
EI25/8/7	25.0 _{±0.5}	18.0	7.1 _{-0.6}	8.0 _{±0.3}	16.8 _{+0.5}	13.0	3.5 _{±0.3}
EI28/11	28.0 _{±0.5}	18.6	7.5 _{-0.6}	11.0 _{-0.6}	16.5 _{+0.5}	12.0	3.5 _{±0.3}
EI30/11	30.0 _{±0.5}	19.0	11.0 _{-0.6}	11.0 _{-0.6}	21.0 _{+0.5}	16.0	5.5 _{±0.3}
EI30/11/5	30.0 _{±0.5}	20.0	5.0 _{-0.5}	11.0 _{-0.6}	17.2 _{+0.5}	13.0	4.2 _{±0.2}
EI31/11	31.0 _{±1.0}	20.0	11.0 _{-0.6}	11.0 _{-0.6}	21.0 _{+0.5}	16.0	5.5 _{±0.3}
EI33/13/10	33.0 _{±0.5}	24.2	10.0 _{-0.6}	13.0 _{-0.6}	23.8 _{+0.8}	19.2	5.2 _{±0.3}
EI35/10	35.0 _{±0.5}	24.5	10.3 _{-0.6}	10.3 _{-0.6}	24.0 _{+0.5}	17.9	4.6 _{±0.3}
EI35/12/10	35.0 _{±0.5}	24.5	10.3 _{-0.6}	12.0 _{-0.6}	24.0 _{+0.5}	17.9	4.6 _{±0.3}
EI40/12	40.0 _{±0.6}	26.8	12.0 _{-0.7}	12.0 _{-0.7}	26.6 _{+0.8}	21.0	6.5 _{±0.3}
EI50/15	50.0 _{±0.7}	34.0	15.0 _{-0.8}	15.0 _{-0.8}	32.5 _{+1.0}	24.5	9.0 _{±0.3}
EI60/16	60.0 _{±0.8}	44.0	15.9 _{-0.8}	15.9 _{-0.8}	35.5 _{+1.0}	27.5	8.5 _{±0.3}
EI70/20	70.0 _{±1.0}	48.5	20.0 _{-0.9}	20.0 _{-0.9}	45.0 _{+1.0}	35.0	10.5 _{±0.5}

Soft ferrite cores 软磁铁氧体

性能参数

型号	C_1 (mm ⁻¹)	Le (mm)	Ae (mm ²)	Ve (mm ³)	W (g)	A_L (nH/N ²) _{min}
EI12/3/3	2.24	21.7	9.67	209.0	1.1	540
EI16/5/6	1.77	34.8	19.6	683.0	3.5	740
EI19/5/5	1.68	39.0	23.0	918.0	4.7	840
EI22/6	1.24	42.0	34.0	1420.0	7.2	1130
EI25/7/7	1.07	48.9	45.7	2230	11.4	1300
EI25/7	1.11	46.2	41.5	1920	9.8	1300
EI25/8/7	0.908	48.8	53.8	2630	13.4	1550
EI28/11	0.573	48.4	84.4	4080	20.8	3000
EI30/11	0.510	57.8	113.0	6550	33.4	3200
EI30/11/5	0.708	49.7	70.2	3490	17.8	2200
EI31/11	0.519	59.1	113.0	6660	34.0	4300
EI33/13/10	0.583	68.4	117.0	8020	40.9	2850
EI35/10	0.663	67.2	101.0	6800	34.7	2650
EI35/12/10	0.567	67.2	118.0	7960	40.6	3100
EI40/12	0.545	77.2	142.0	10900	55.7	3200
EI50/15	0.408	93.0	229.0	21300	109	4300
EI60/16	0.449	110.0	245.0	27000	137	3900
EI70/20	0.345	150	434.0	65000	331	5100