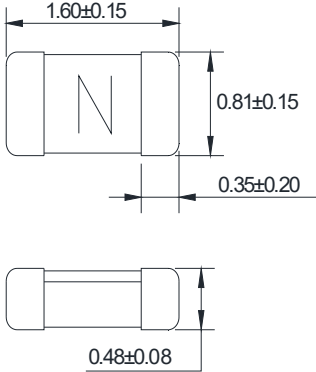


# 064 Chip Fuse



Dimensions (unit: mm)



## Main Characteristics

Chip fuse; Fast-Acting(F)

## Standard

UL248-14

## Materials

Substrate: Ceramic

Termination: Silver over-plated with nickel and Tin

## Operating Temperature

-55°C to +150°C

## Storage Conditions

+10°C to +60°C

Relative humidity: ≤75% yearly average  
Without dew, maximum 30 days at 95%

## Vibration Resistance

24 cycles at 15 min. each (60068-6)  
10-60Hz at 0.75mm amplitude  
60-2000Hz at 10g acceleration

## Soldering Parameters

260°C. ≤ 10 sec (Wave Soldering)

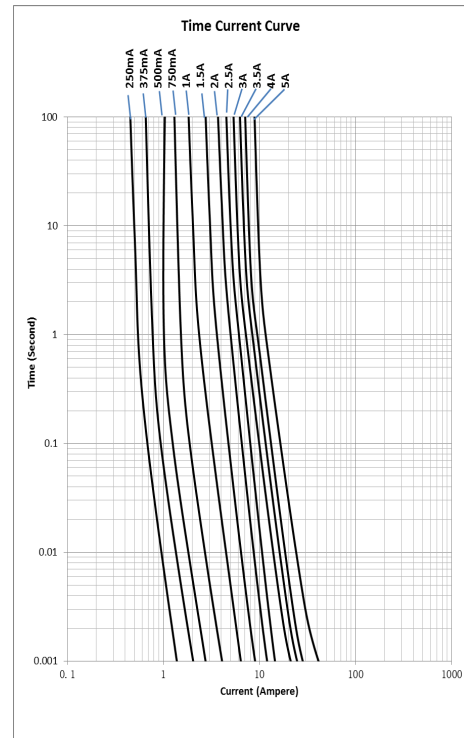
300°C. ≤ 2 sec (Hand Soldering)

## Soldering Peak:

260°C. 10 sec.

280°C. 5 sec. (IEC 60068-20)

Average Time Current(I-T Curve)



## Time vs Current Characteristics: UL248-14

Rated Current	100%	250%
250mA~5A	>4H	<5s



## Electrical Characteristics at 25°C

Amp Code	Rated Current	Rated Voltage	Typical Voltage Drop(mV)	Breaking Capacity	Typical Melting I²T (A²s)	Typical Cold Resistance (mΩ)	Alpha Mark	Approvals
								cURus
0250	250mA	63VDC	890	50A@63VDC	0.0004	3200	D	•
0375	375mA		585		0.0009	1650	E	•
0500	500mA		580		0.001	1000	F	•
0750	750mA		425		0.009	450	G	•
1100	1.00A		333		0.01	249.5	H	•
1150	1.50A		268		0.04	149	K	•
1200	2.00A	32VDC	158	50A@32VDC	0.115	73.5	N	•
1250	2.50A		143		0.14	46.5	O	•
1300	3.00A		128		0.28	34.5	P	•
1350	3.50A		125		0.5	26.5	R	•
1400	4.00A		118		0.6	20.5	S	•
1500	5.00A		105		1.9	13.0	T	•

- Note:** (1) DC interrupting rating (measured at rated voltage, time constant of less than 50 microseconds, battery source)  
 (2) DC cold resistance are measured at <10% of rated current in ambient temperature of 25°C  
 (3) Typical pre-arcing I²t are measured at 10In current

## Ordering Information

Series	Amp Code	Supplementary Code	Qty
064			