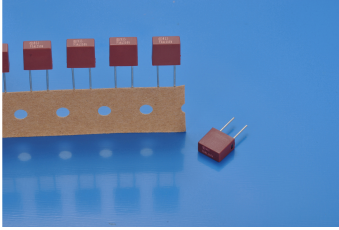
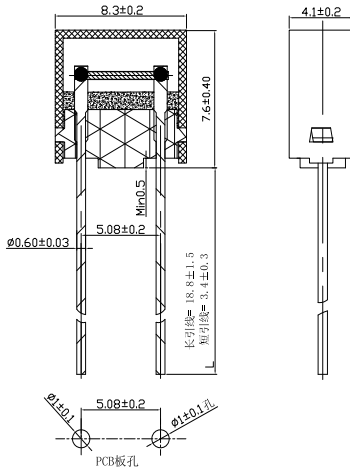


933 Box Subminiature Fuse



Dimensions (unit: mm)



Conventional products are braided products, and refer to EPS specification for details.

Main Characteristics

Box subminiature fuse; fast-acting (F)

Standard

UL248-14

Materials

Fuse body: Thermoplastic

Lead: Tin plated copper

Operating Temperature

-55°C to +125°C

Storage Conditions

+10°C to +60°C

Relative humidity: ≤75% yearly average without dew, maximum 30 days at 95%

Vibration Resistance

24 cycles at 15 min. each (60068-6)

10-60Hz at 0.75mm amplitude

60-2000Hz at 10g acceleration

Soldering Parameters

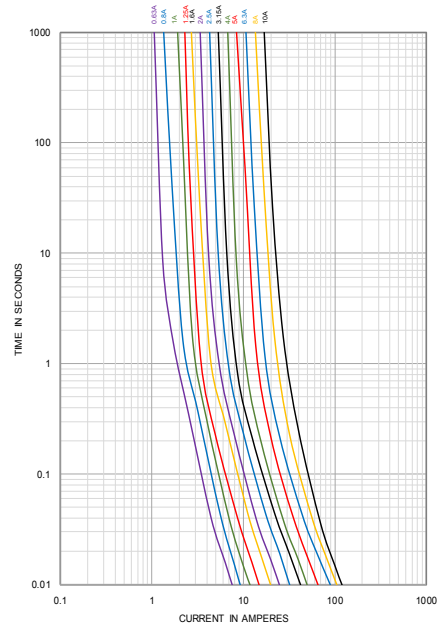
260°C. ≤5 sec (Wave Soldering)

350°C. ≤3 sec (Hand Soldering)

Soldering Peak:

260°C. 10 sec. (IEC 60068-20)

Average Time Current (I-T Curves)



Time vs Current Characteristics: UL248-14

Rated Current	150%	210%	275%	400%	1000%
630mA~10A	>1h	<30min	10ms~3s	3ms~300ms	≤20ms



Electrical Characteristics at 25°C

Amp Code	Rated Current	Rated Voltage	Typical Cold Resistance (mΩ)	Nominal Melting I ² t (A ² sec)	Breaking Capacity	Approval
						cURus
1100	1.00A	250VDC 400VAC	63.0	1.44	100A@250VDC 100A@400VAC	•
1125	1.25A		45.0	2.25		•
1160	1.60A		35.0	4.00		•
1200	2.00A		33.5	6.25		•
1250	2.50A		25.0	10.24		•
1315	3.15A		19.4	17.6		•
1400	4.00A		14.37	25.0		•
1500	5.00A		11.5	42.3		•
1630	6.30A		7.40	81.0		•
1800	8.00A		5.75	110		•
2100	10.00A	4.20	144	•		

- Notes:** (1) Permissible continuous operating current is ≤100% at ambient temperature of 23°C (73.4°F)
 (2) The current values used for calculating I²T should be within the standard range of 8ms ~ 10ms.

Ordering Information

Series	Amp code	Supplementary Code	Qty
933			