

SAW Resonator 868.95 MHz

MODEL NO.: TC0322A

REV. NO.:2.0

A. FEATURES:

1. 1-Port Resonator.

B. MAXIMUM RATING:

1. Input Power Level: 0 dBm
2. DC voltage: 3 V
3. Operating Temperature: -40°C to +85°C
4. Storage Temperature: -40°C to +85°C
5. Moisture Sensitive Level: Level 1 (MSL1)

C. ELECTRICAL CHARACTERISTICS:

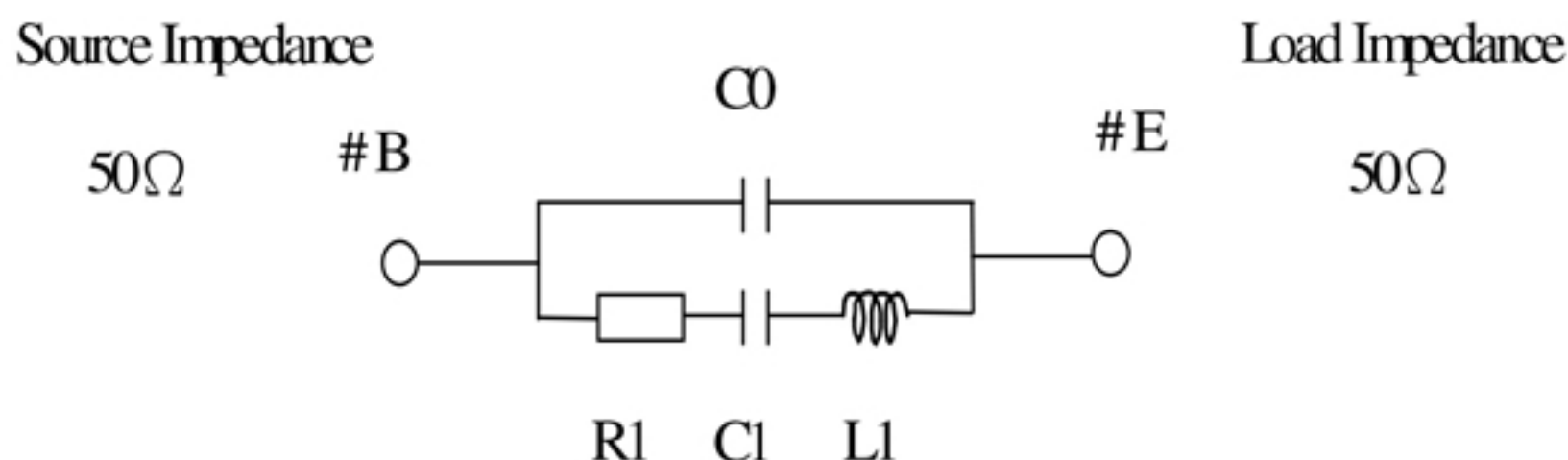
Reference Temperature $T_A=25^\circ\text{C}$

Characteristic	Units	Minimum	Typical	Maximum
Center frequency Fc	MHz	868.85	868.95	869.05
Insertion Loss IL	dB	-	1.25	2.5
Unload quality factor Qu		-	9800	-
Ageing of fc	ppm/yr	-	-	± 10
Motional capacitance C1	fF	-	0.98	-
Motional inductance L1	μH	-	35.93	-
Motional resistance R1	Ohm	-	20	-
Parallel capacitance Co	pF	-	2.16	-
Frequency Temperature coefficient C_f)	ppm/c*2	-	0.032	-
Turnover T_o	deg.C	-	25	-
Package size		SMD 3x3x1.1 mm		

Temperature dependence of fc: $f_c(T_A)=f_c(T_O)(1+TC_f(T_A-T_O)^2)$

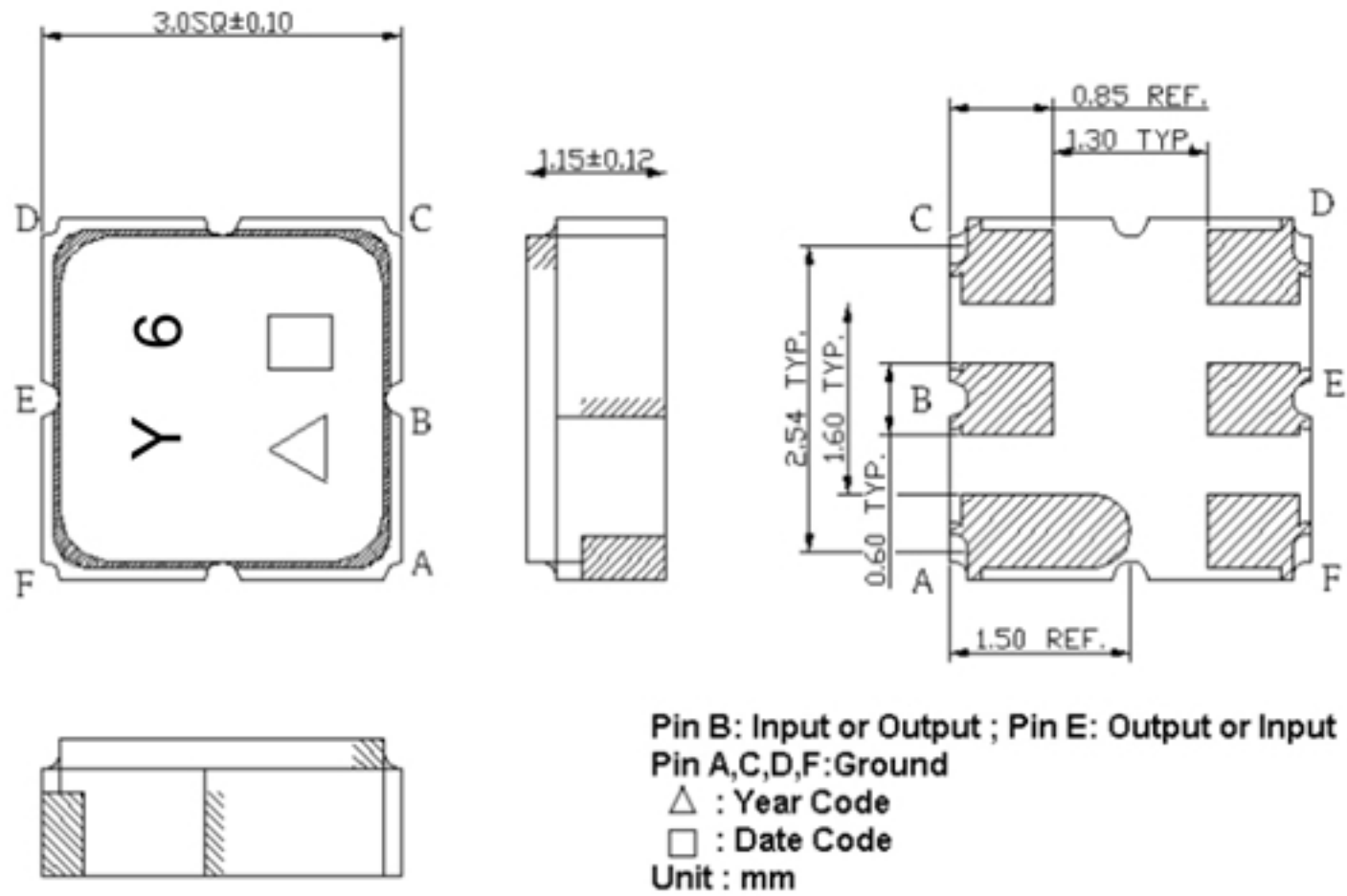
D. EQUIVALENT CIRCUIT:

One-Port Resonator:



RoHS Compliant
Lead free
Lead-free soldering

E. OUTLINE DRAWING:



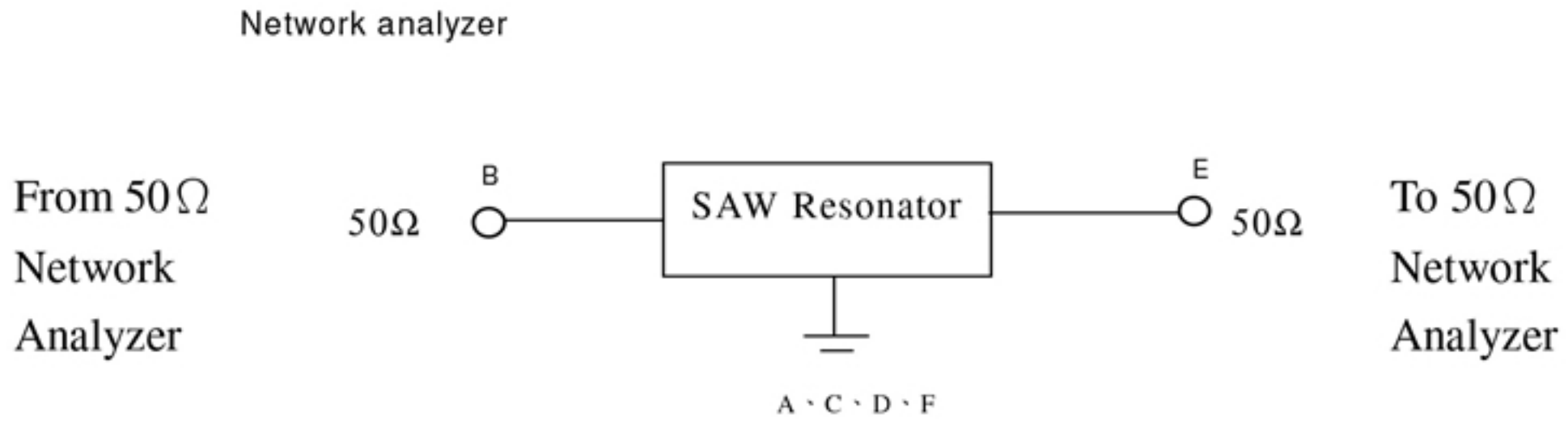
Date code: Provided by planer each year

Year code: 6 for 2006, 7 for 2007, ...

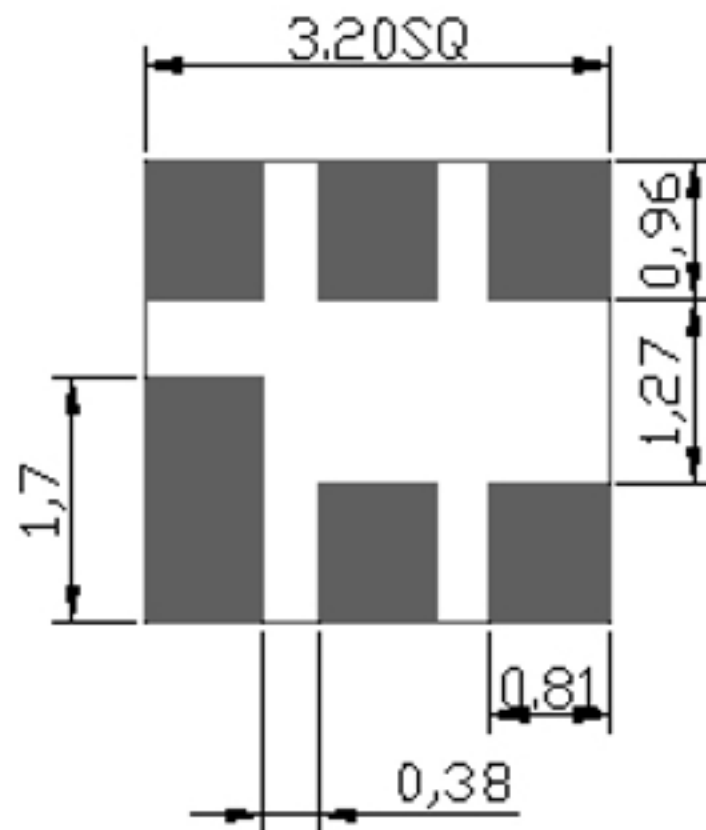
F. FREQUENCY CHARACTERISTICS:



G. TEST CIRCUIT:

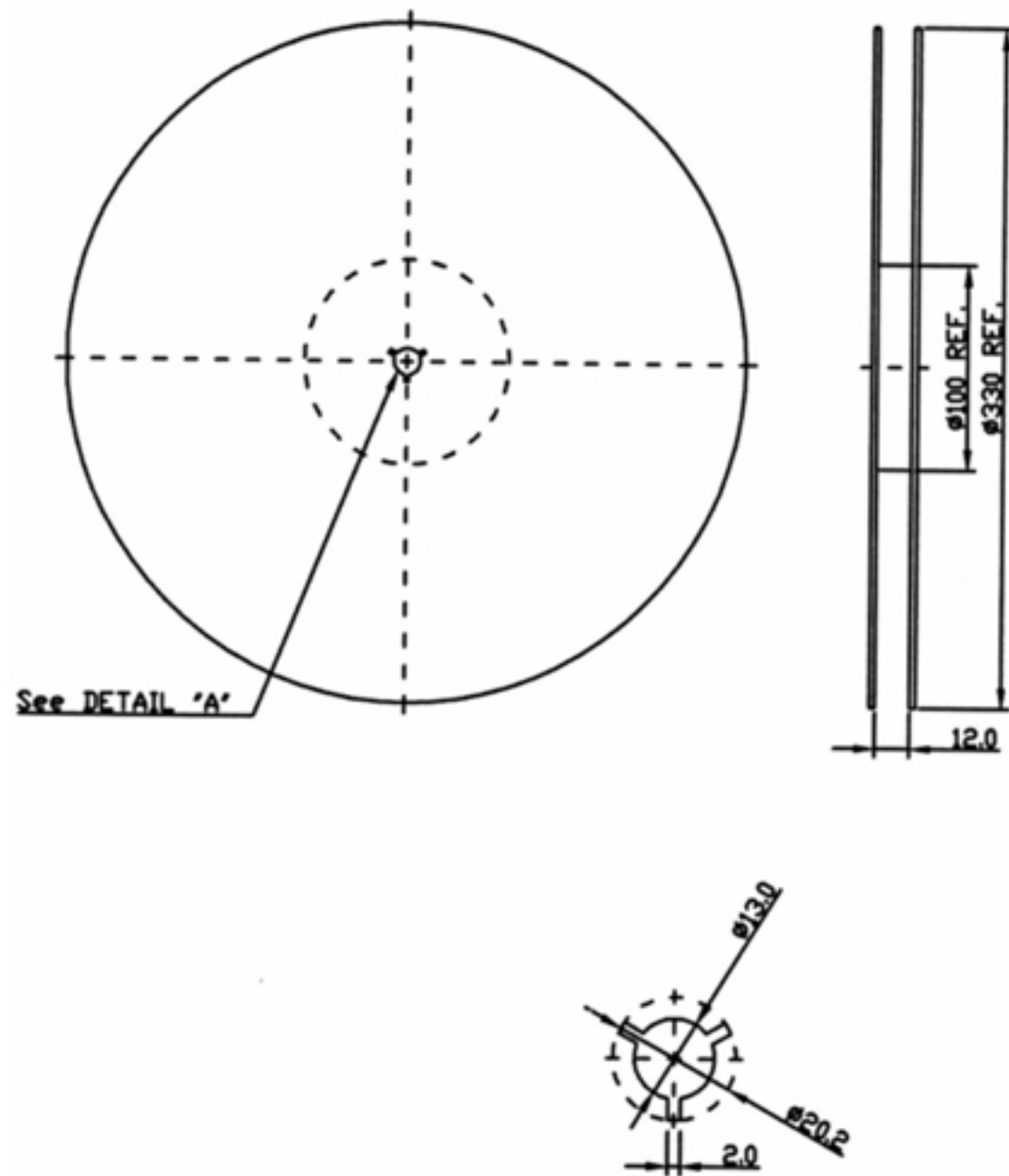


H. LAND PATTERN:

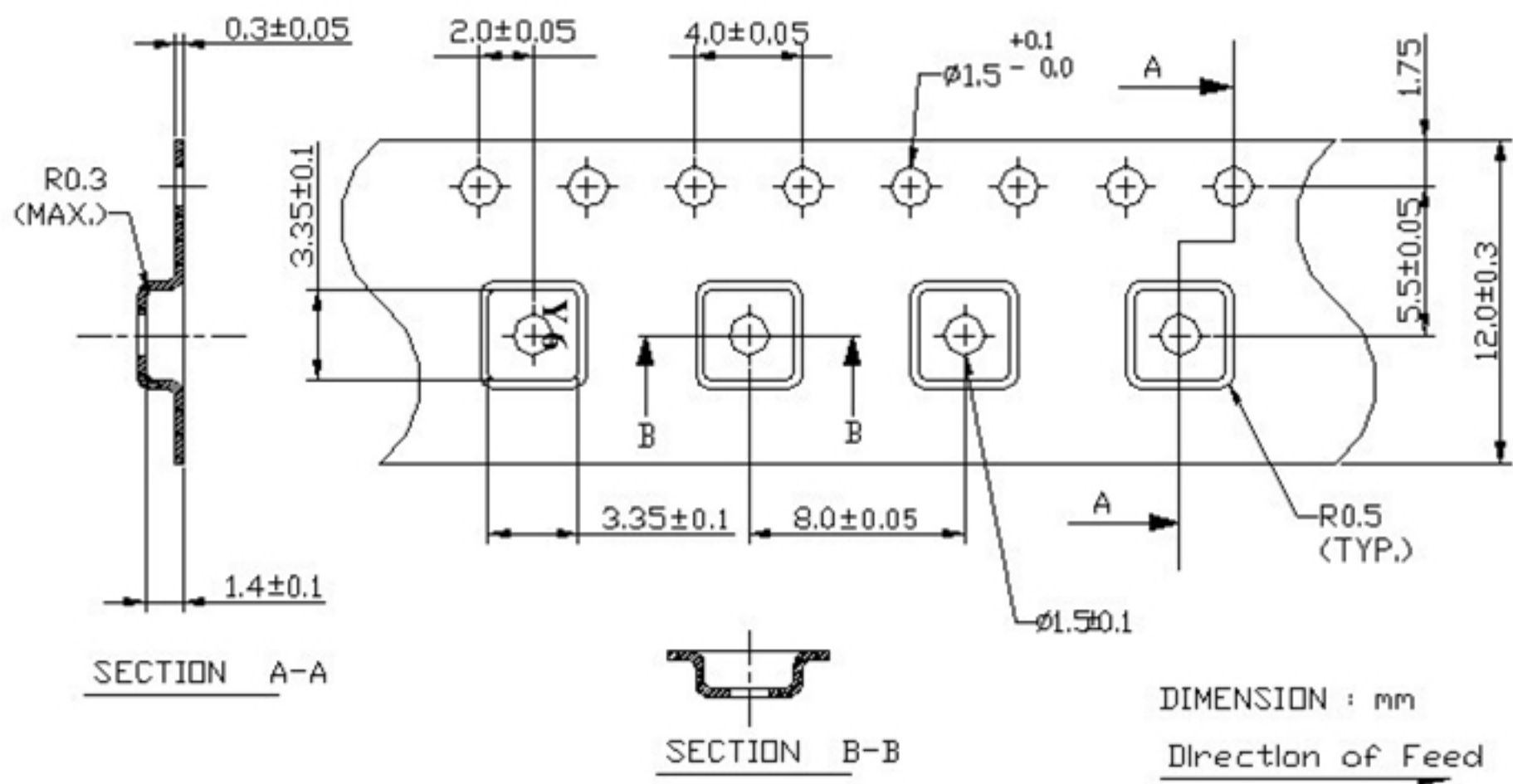


I. PACKING:

1. REEL DIMENSION



2. TAPE DIMENSION



H.RECOMMENDED REFLOW PROFILE:

