

# SAW Resonator 907.2 MHz

MODEL NO.: TC0315B

REV. NO.:1

## A. FEATURES:

- 1-Port Resonator.

## B. MAXIMUM RATING:

- 1.Input Power Level: 0 dBm
- 2.DC voltage: 12 V
- 3.Operating Temperature: -40°C to +85°C
- 4.Storage Temperature: -40°C to +85°C

RoHS Compliant  
Lead free  
Lead-free soldering

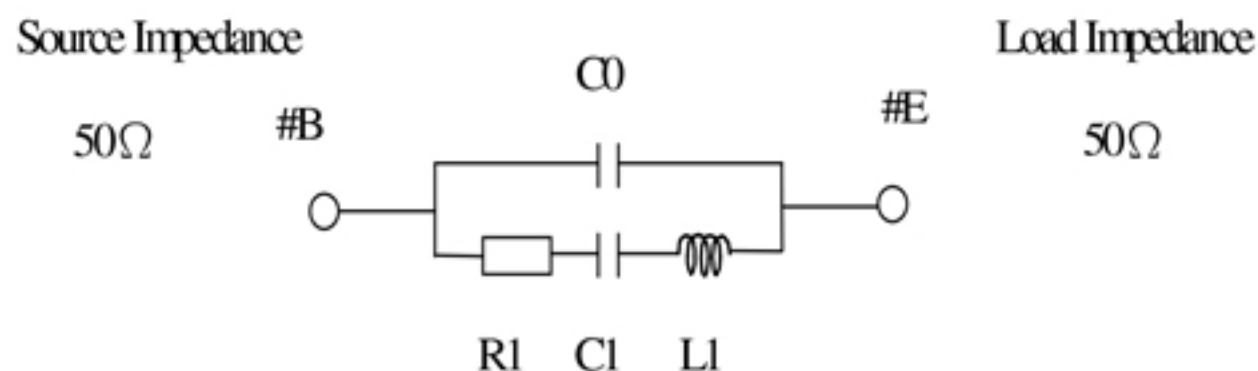
**Electrostatic Sensitive Device (ESD)**

## C. ELECTRICAL CHARACTERISTICS:

Characteristic	Units	Minimum	Typical	Maximum
Center frequency <b>Fr</b>	<b>MHz</b>	907.150	907.2	907.250
Insertion Loss <b>IL</b>	<b>dB</b>		1.4	2.3
Unloaded Quality factor		-	8870	-
Equivalent Elements				
Motional capacitance <b>C1</b>	<b>fF</b>	-	1.01	-
Motional inductance <b>L1</b>	$\mu$ <b>H</b>	-	30.5	-
Motional resistance <b>R1</b>	<b>Ohm</b>	-	19.6	-
Parallel capacitance <b>Co</b>	<b>pF</b>	-	2.12	-
Temp.coeff.	<b>ppm/c*2</b>	-	0.032	-
Turnover To	<b>deg.C</b>	-	25	-
Package size		SMD 3.8X3.8X1.4mm		

## D. EQUIVALENT CIRCUIT:

One-Port Resonator:



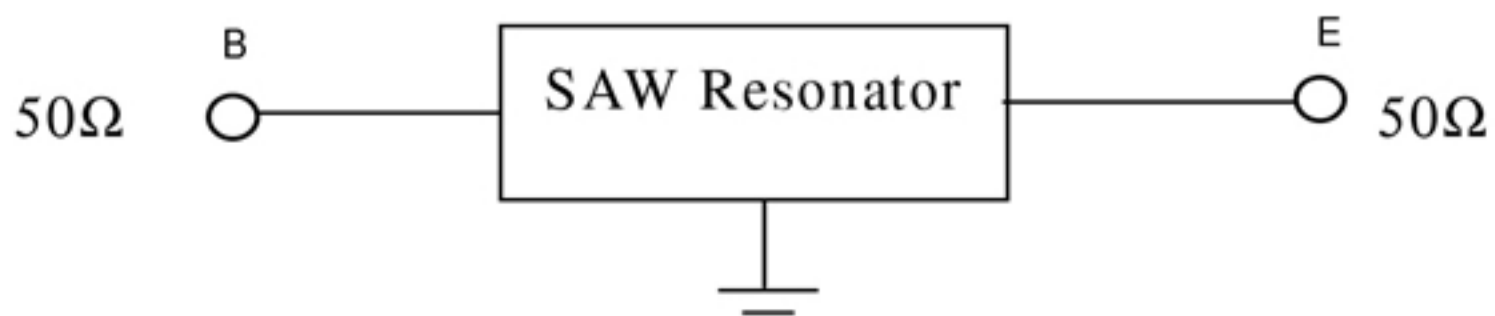
## E. FREQUENCY CHARACTERISTICS:



## F. TEST CIRCUIT:

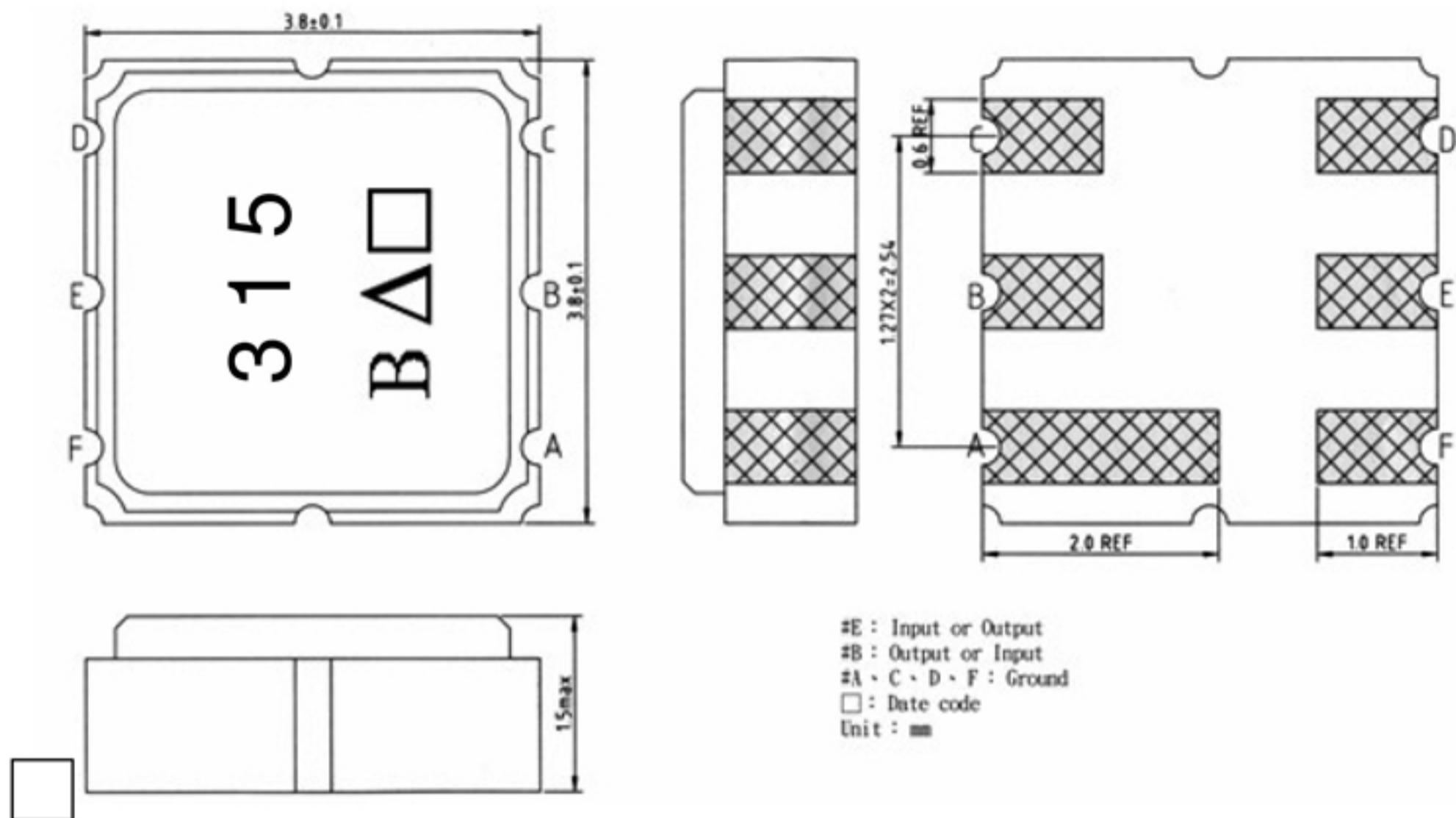
Network analyzer

From 50Ω  
Network  
Analyzer



To 50Ω  
Network  
Analyzer

## G. OUTLINE DRAWING:



△ Year code : See the table

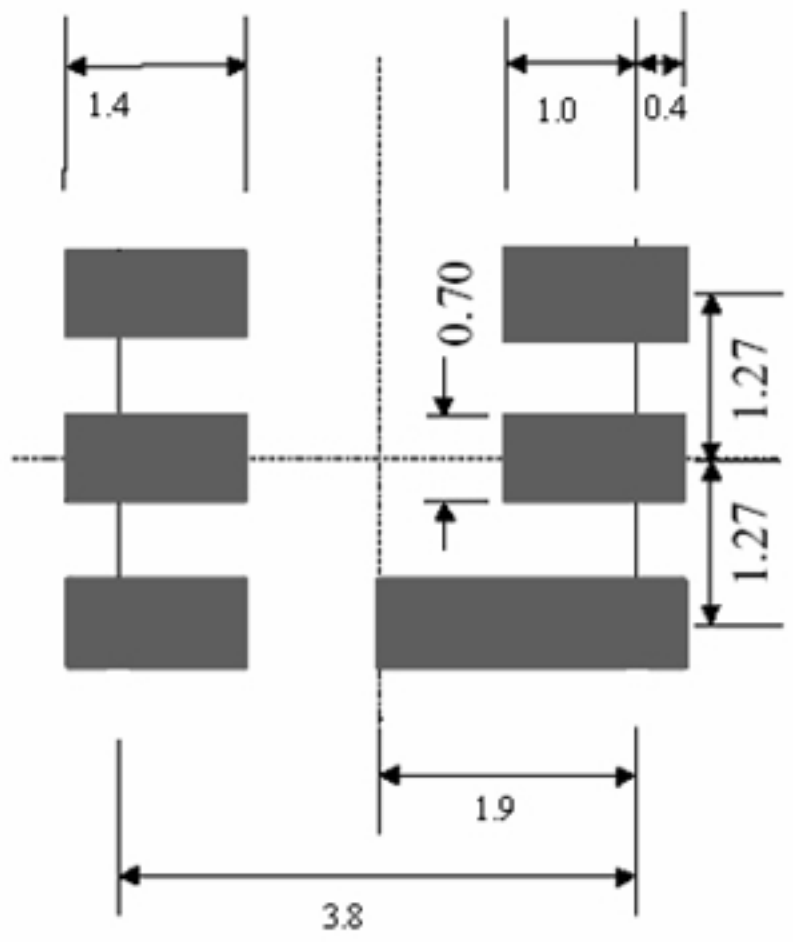
### Product Year Code

Year	2011	2012
	2013	2014
	2015	2016
	.	.
Product Code	C	c

□ Data code : See the table

WK01	WK02	WK03	WK04	WK05	WK06	WK07	WK08	WK09	WK10	WK11	WK12	WK13
A	B	C	D	E	F	G	H	I	J	K	L	M
WK14	WK15	WK16	WK17	WK18	WK19	WK20	WK21	WK22	WK23	WK24	WK25	WK26
N	O	P	Q	R	S	T	U	V	W	X	Y	Z
WK27	WK28	WK29	WK30	WK31	WK32	WK33	WK34	WK35	WK36	WK37	WK38	WK39
a	b	c	d	e	f	g	h	i	j	k	l	m
WK40	WK41	WK42	WK43	WK44	WK45	WK46	WK47	WK48	WK49	WK50	WK51	WK52
n	o	p	q	r	s	t	u	v	w	x	y	z

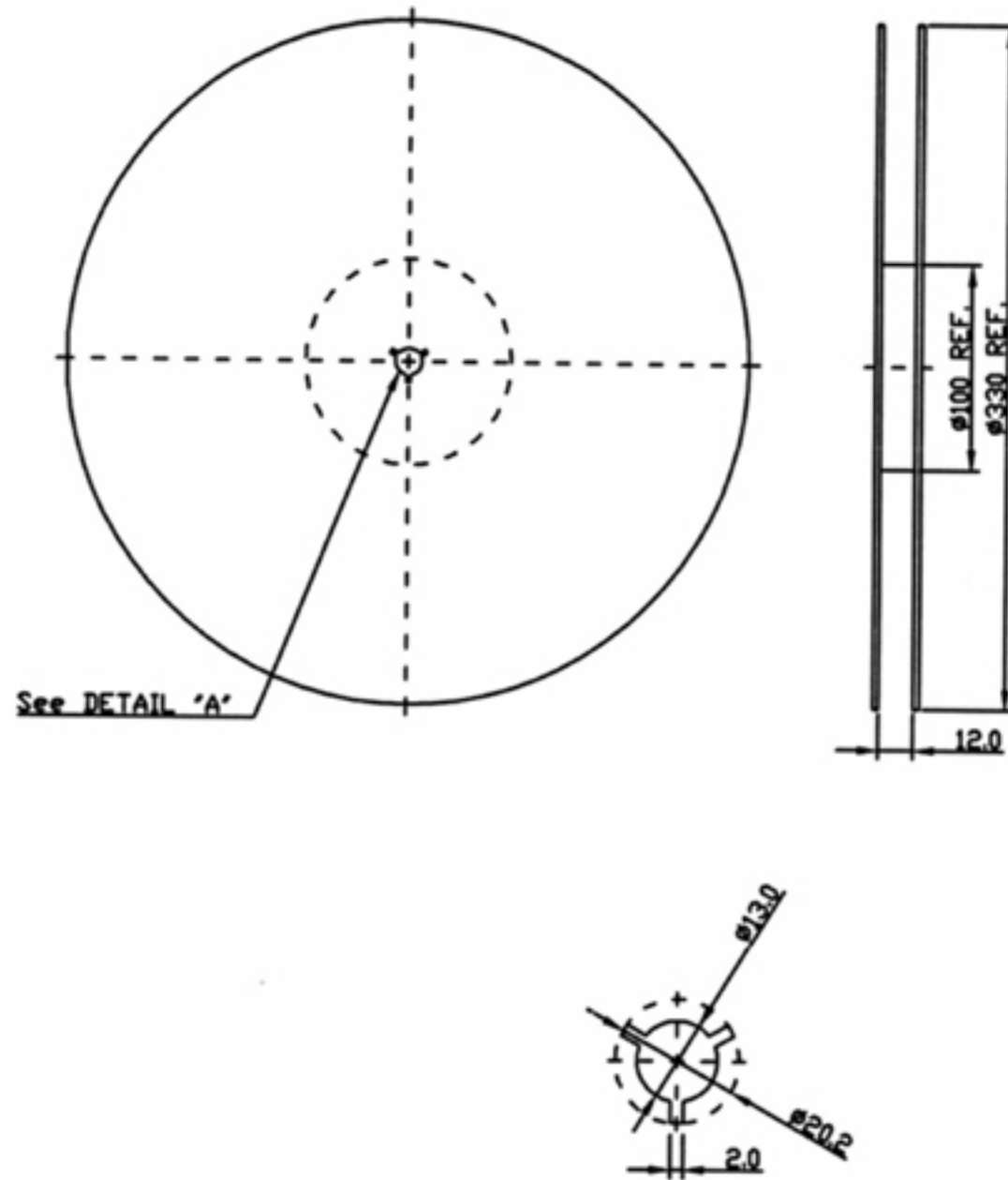
## H. PCB FOOTPRINT:



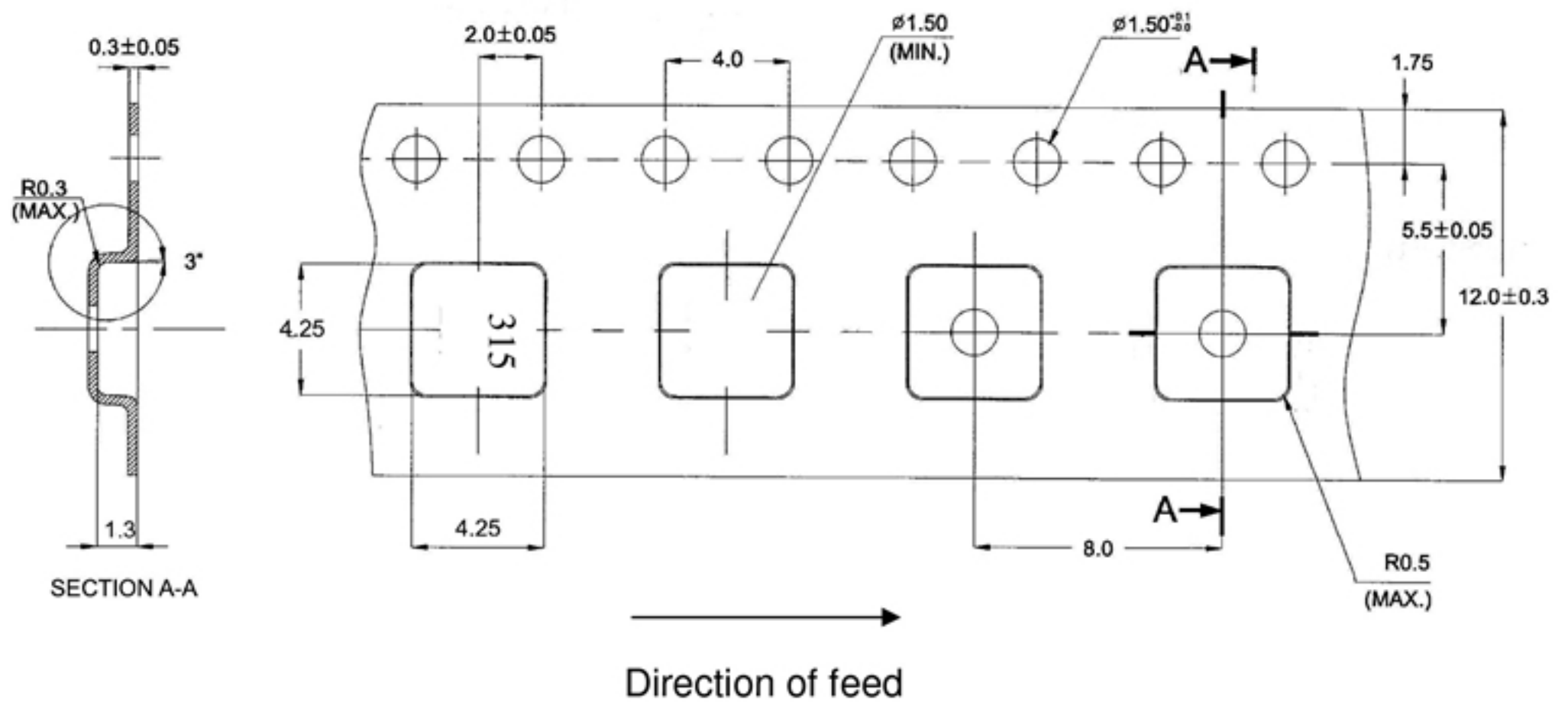
# I. PACKING:

## 1. REEL DIMENSION

(Please refer to FR-75D10 for packing quantity)



## 2. TAPE DIMENSION



## J. RECOMMENDED REFLOW PROFILE:

