

SAW Resonator 916.5 MHz

MODEL NO.: TC0391B

REV. NO.:1

A. FEATURES:

- 1-Port Resonator.

RoHS Compliant
Lead free
Lead-free soldering

B. MAXIMUM RATING:

1. Input Power Level: 0 dBm
2. DC voltage: 12 V
3. Operating Temperature: -40°C to +85°C
4. Storage Temperature: -40°C to +85°C

C. ELECTRICAL CHARACTERISTICS:

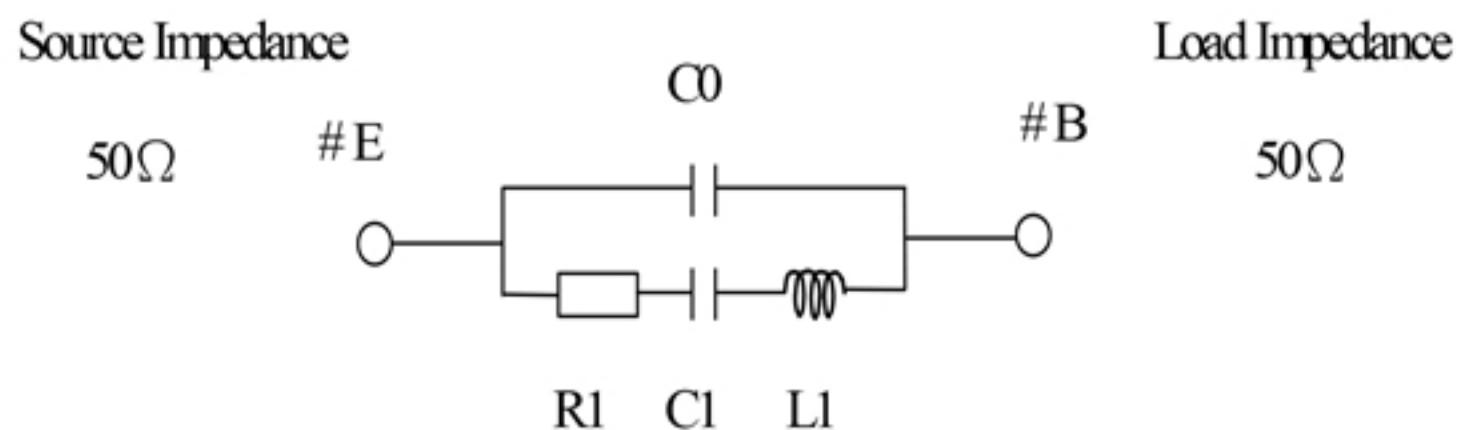
Reference Temperature $T_A=25^\circ\text{C}$

Characteristic	Units	Minimum	Typical	Maximum
Center frequency F_c	MHz	916.450	916.500	916.550
Insertion Loss IL	dB	-	1.4	2.2
Unload quality factor Q_U		-	9300	-
Ageing of fc	ppm/yr	-	-	±10
Motional capacitance C1	fF	-	1.08	-
Motional inductance L1	μH	-	27.8	-
Motional resistance R1	Ohm	-	17.2	-
Parallel capacitance C₀	pF	-	2.3	-
Frequency Temperature coefficient (TC_f)	ppm/c*2	-	0.032	-
Turnover T_o	deg.C	10	25	40
Package size		SMD 3X3X1.1 mm		

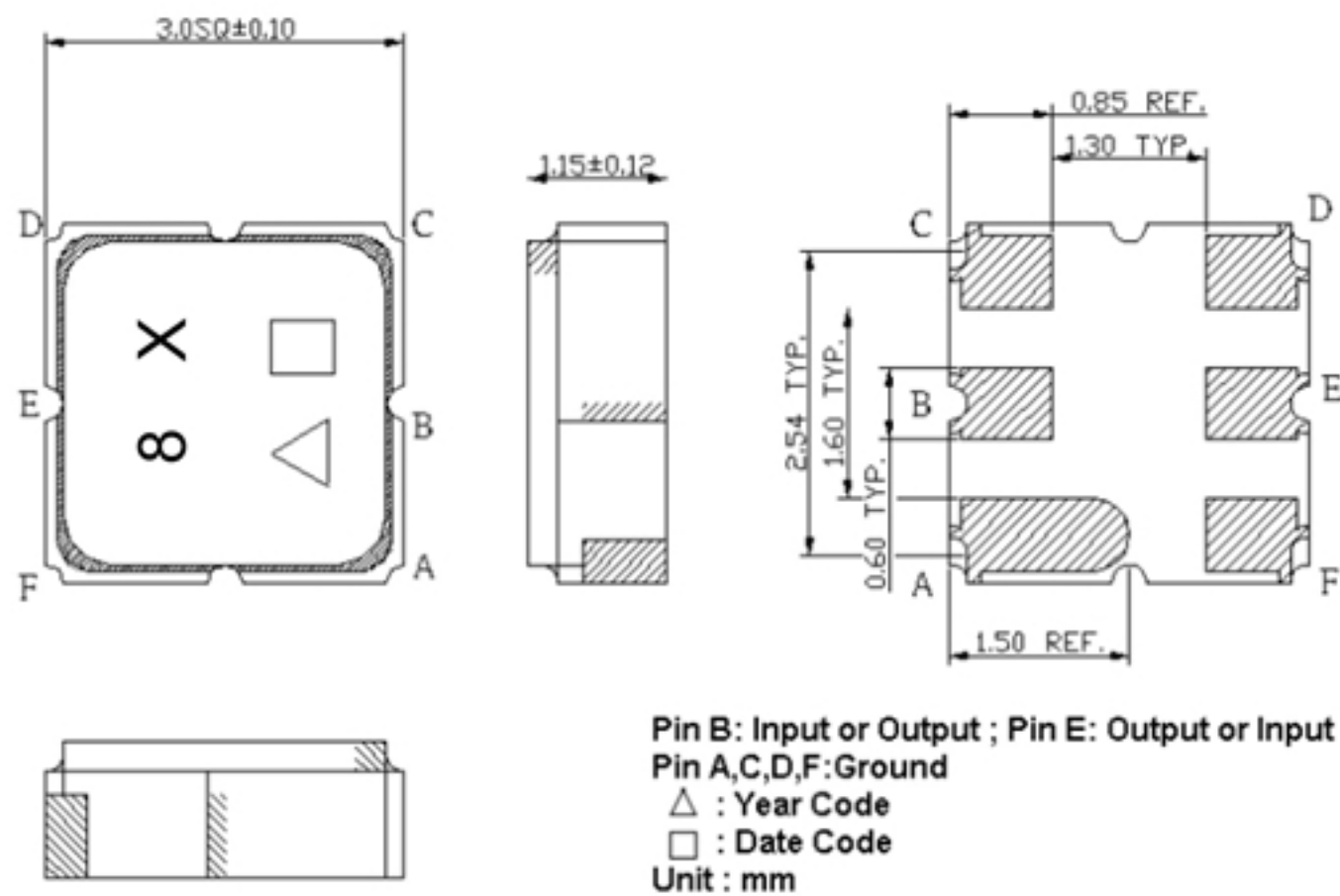
Temperature dependence of fc: $f_c(T_A)=f_c(T_0)(1+TC_f(T_A-T_0)^2)$

D. EQUIVALENT CIRCUIT:

One-Port Resonator:



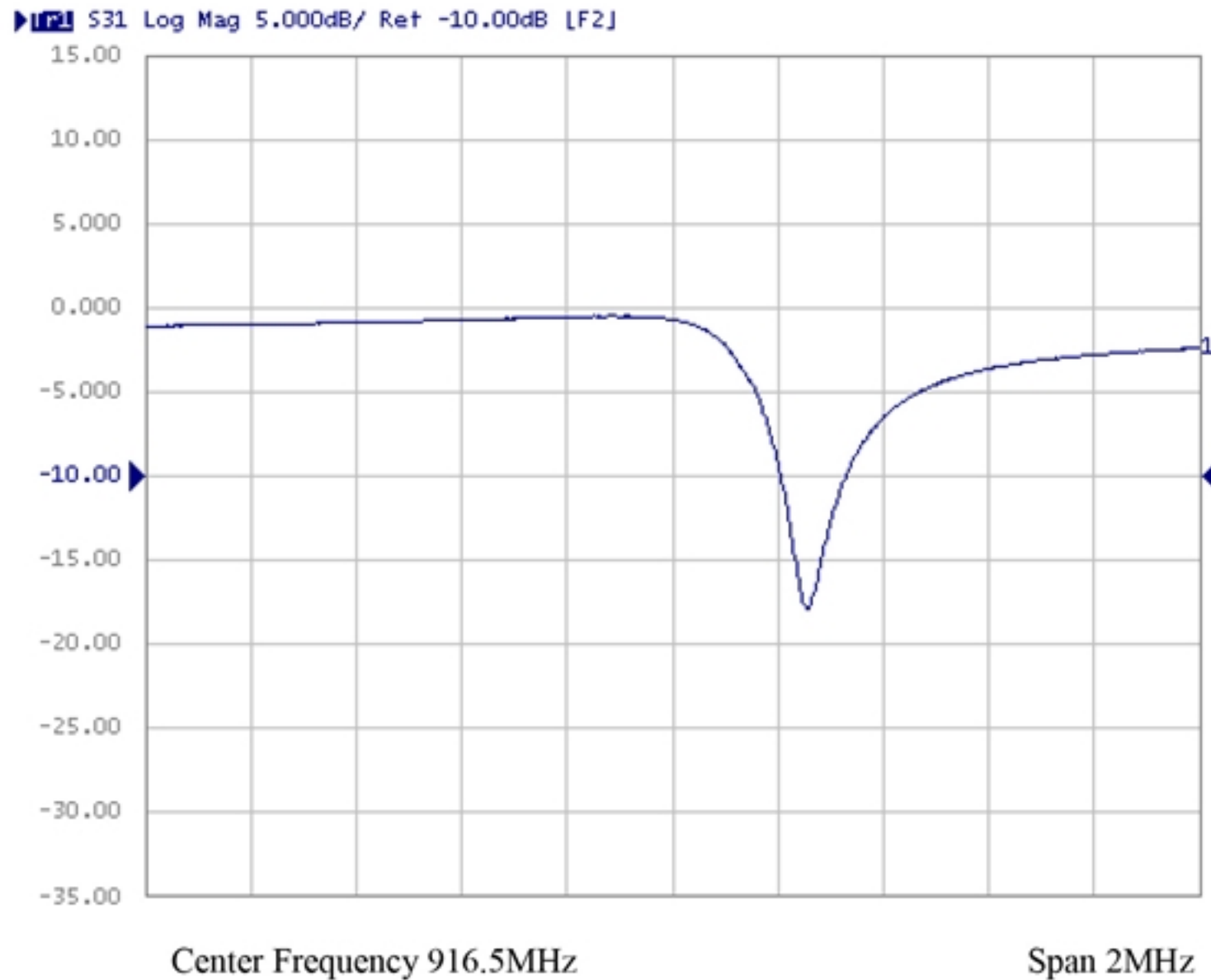
E. OUTLINE DRAWING:



Date code: Provided by planer each year

Year code: 7 for 2007, 8 for 2008, ...

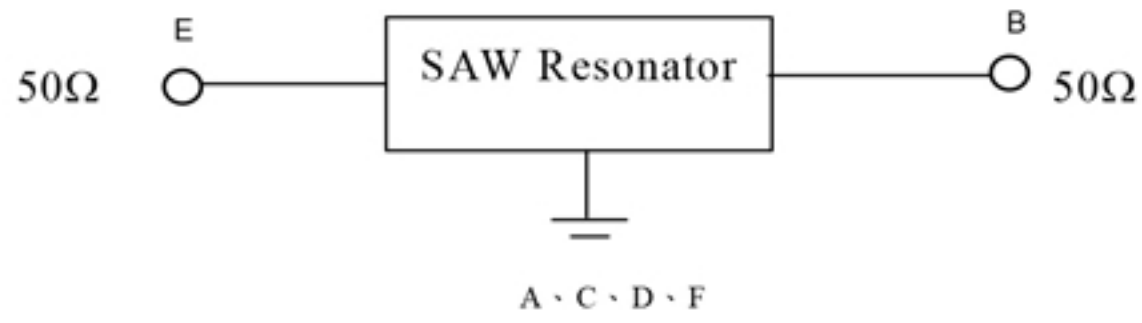
F. FREQUENCY CHARACTERISTICS:



G. TEST CIRCUIT:

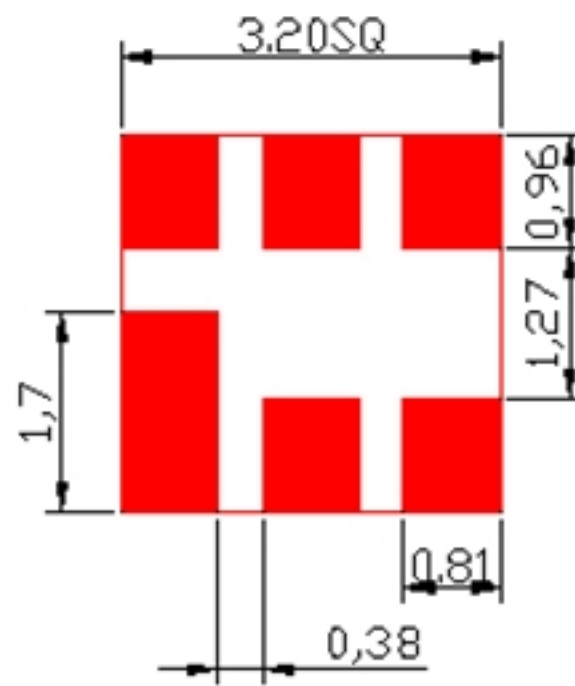
Network analyzer

From 50Ω
Network
Analyzer



To 50Ω
Network
Analyzer

H. PCB Foot Print:



I. PACKING:

1. REEL DIMENSION

