

SAW Resonator 1010MHz

MODEL NO.: TC0464A

REV. NO.:3.0

A. FEATURES:

1. 1-Port Resonator.

RoHS Compliant
Lead free
Lead-free soldering

B. MAXIMUM RATING:

1. Input Power Level: 0 dBm
2. DC voltage: 3 V
3. Operating Temperature: -40°C to +85°C
4. Storage Temperature: -40°C to +85°C
5. Moisture Sensitive Level (MSL): Level 1

Electrostatic Sensitive Device (ESD)

C. ELECTRICAL CHARACTERISTICS:

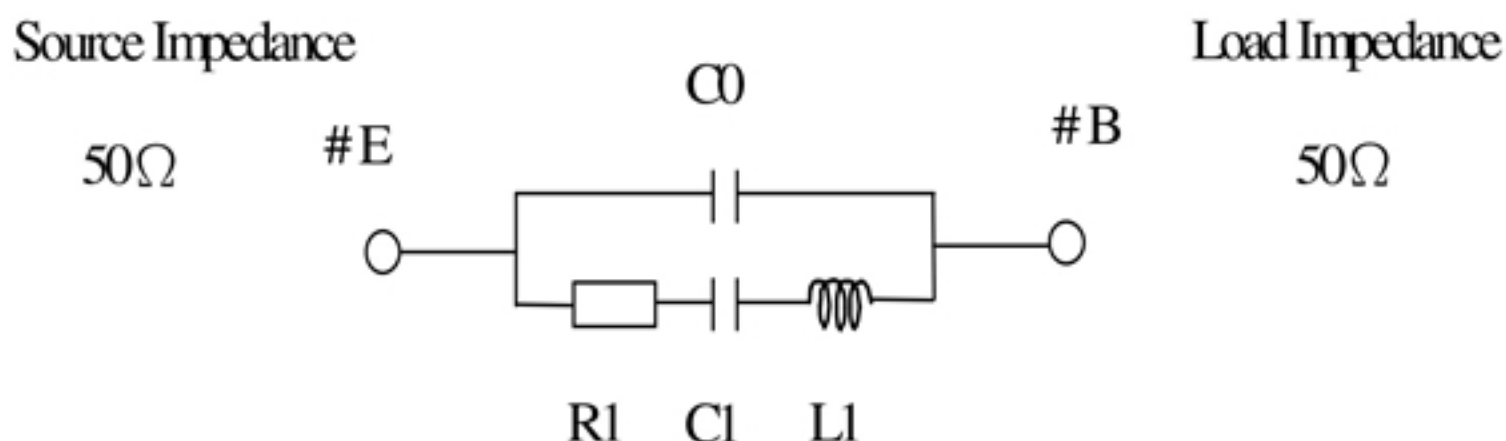
Reference Temperature $T_A=25^{\circ}\text{C}$

Characteristic	Units	Minimum	Typical	Maximum
Center frequency Fc	MHz	1009.950	1010	1010.050
Insertion Loss IL	dB	-	1.80	2.5
Unload quality factor Q_U		4500	7700	-
Motional capacitance C1	fF	-	1.21	-
Motional inductance L1	μH	-	20.55	-
Motional resistance R1	Ohm	-	16.92	-
Parallel capacitance C₀	pF	-	2.29	-
Frequency Temperature coefficient (TC _f)	ppm/c*2	-	-0.032	-
Turnover To	deg.C	10	-	40
Package size	SMD 3.8X3.8X1.4 mm			

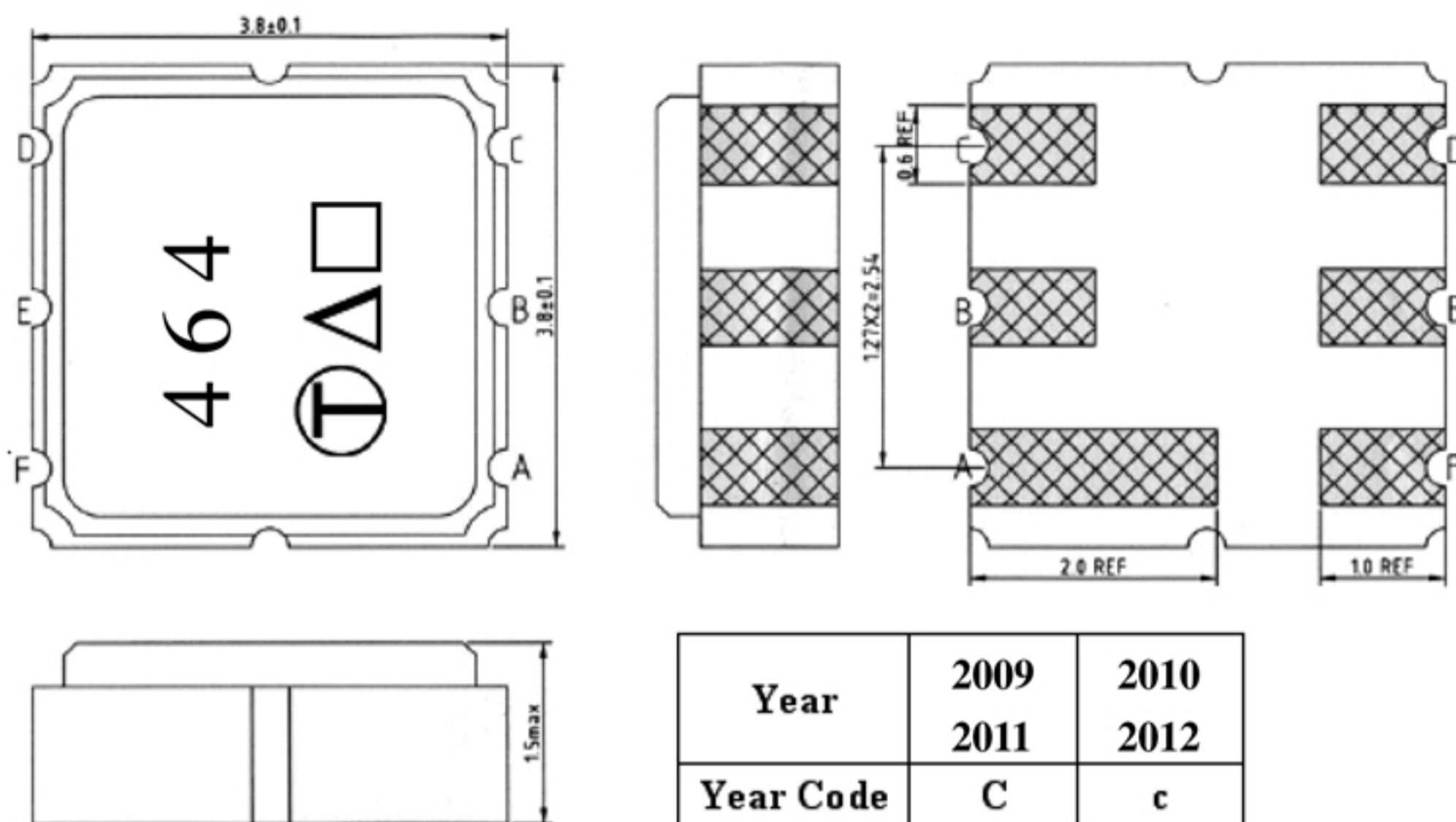
Temperature dependence of fc: $f_c(T_A)=f_c(T_0)(1-TC_f(T_A-T_0)^2)$

D. EQUIVALENT CIRCUIT:

One-Port Resonator:



E. OUTLINE DRAWING:



#E : Input or Output

#B : Output or Input

#A、C、D、F : Ground

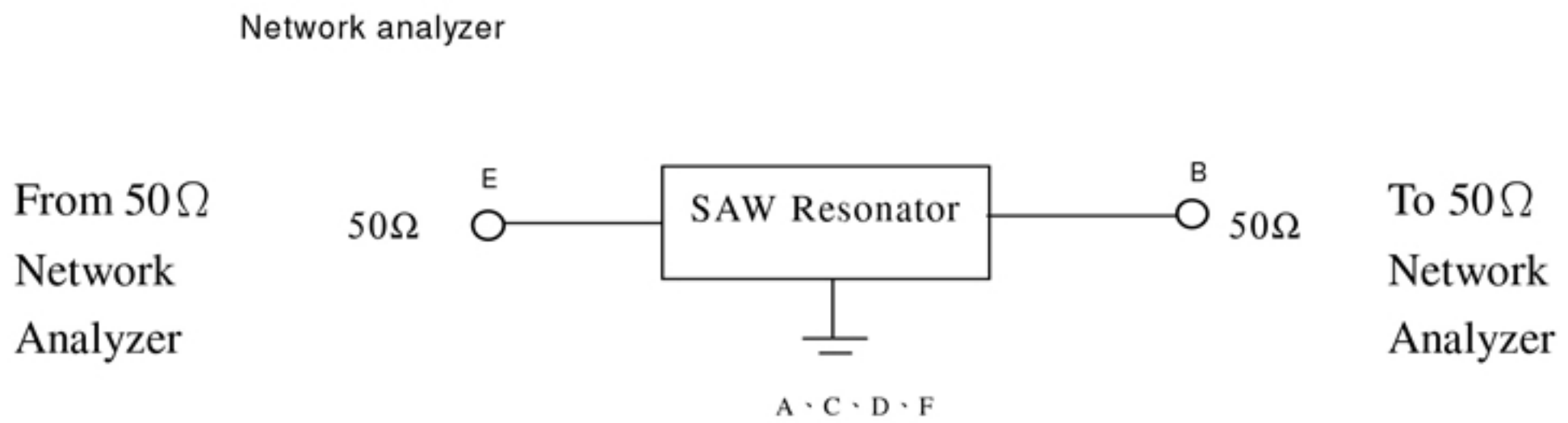
Δ : Year Code

\square : Data Code(Follow the table provided by planer each year)

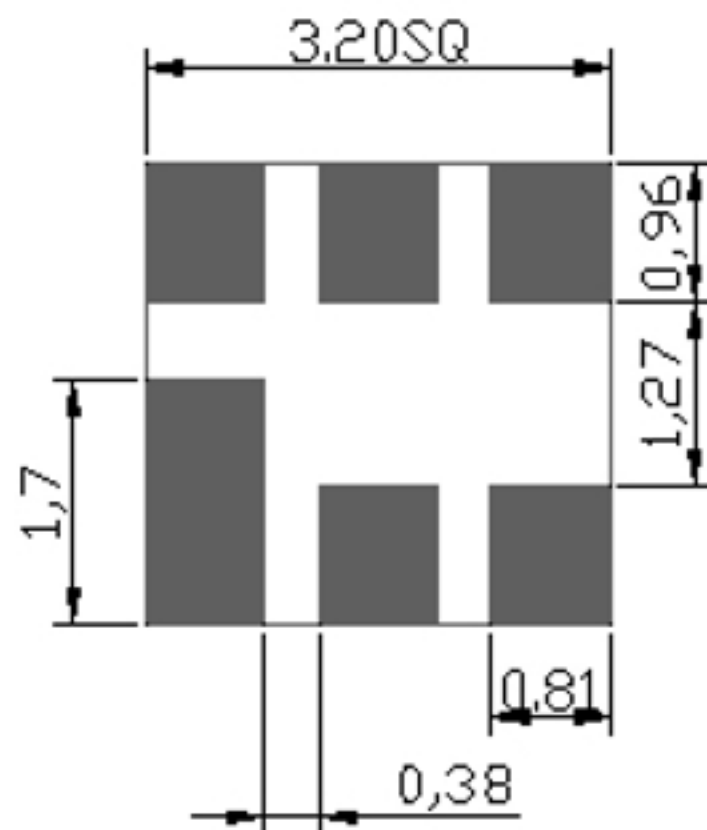
F. FREQUENCY CHARACTERISTICS:



G. TEST CIRCUIT:



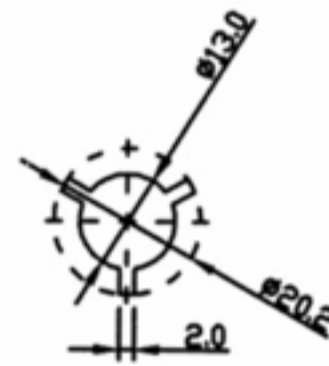
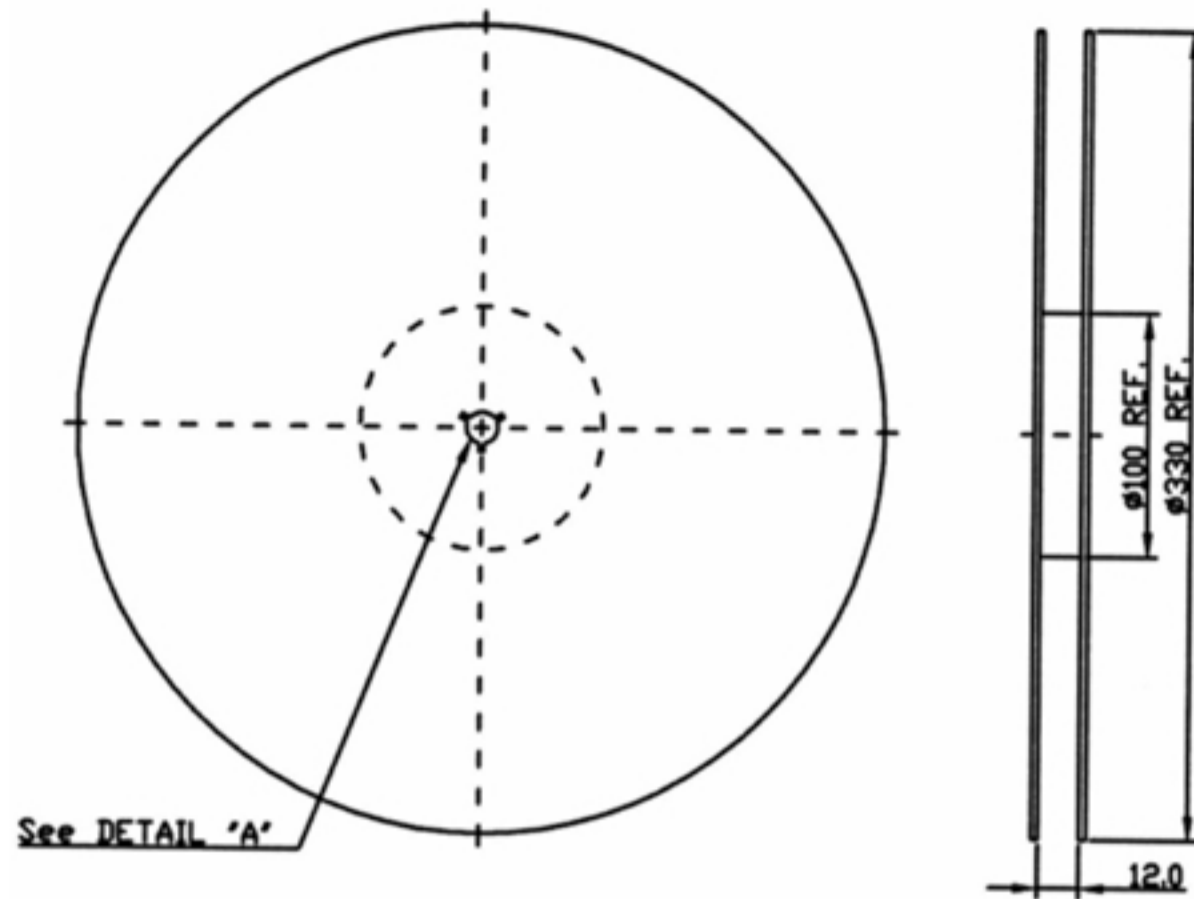
H. PCB FOOTPRINT:



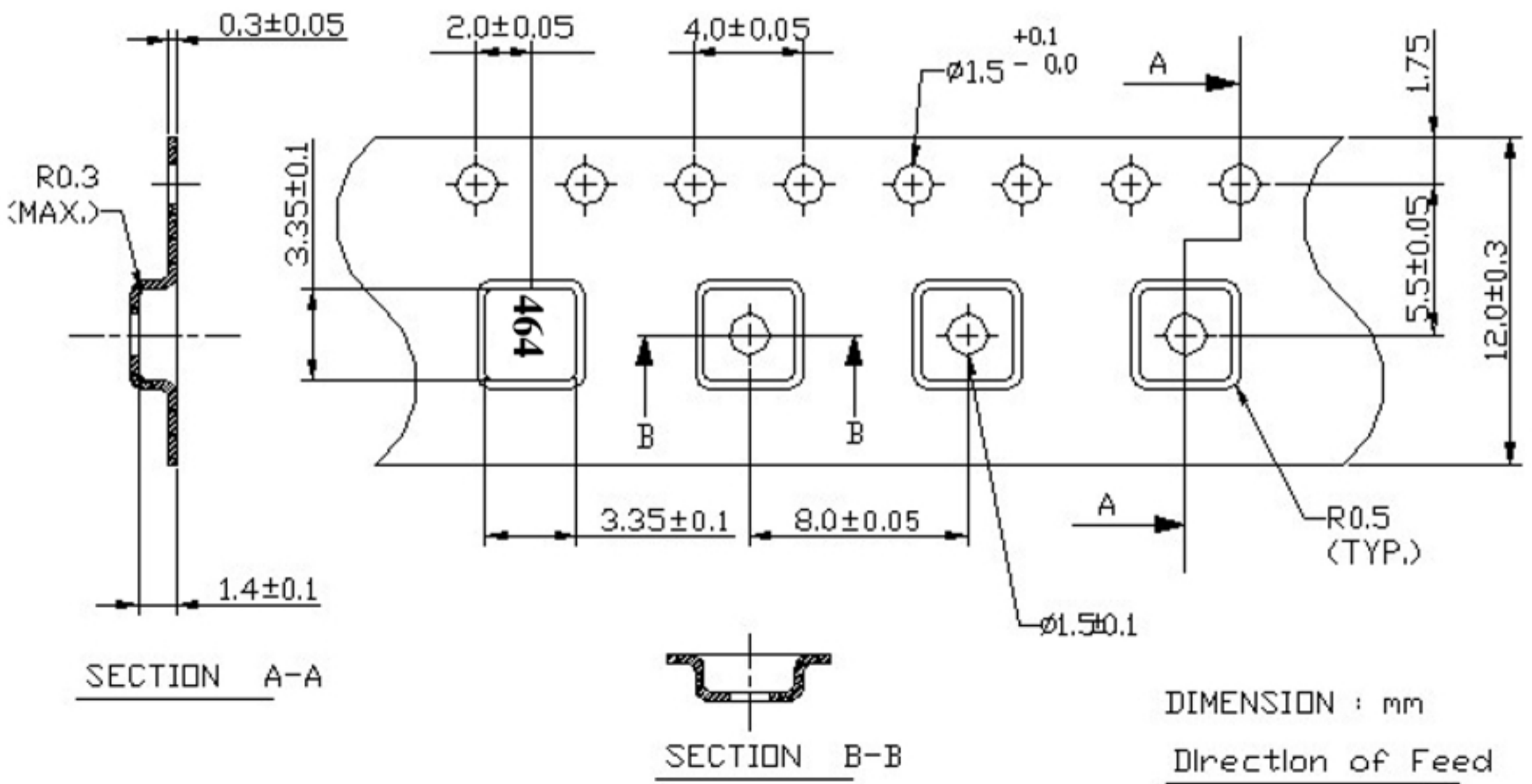
G. PACKING:

1. REEL DIMENSION

(Please refer to FR-75D10 for packing quantity)



2. TAPE DIMENSION



H. RECOMMENDED REFLOW PROFILE:

