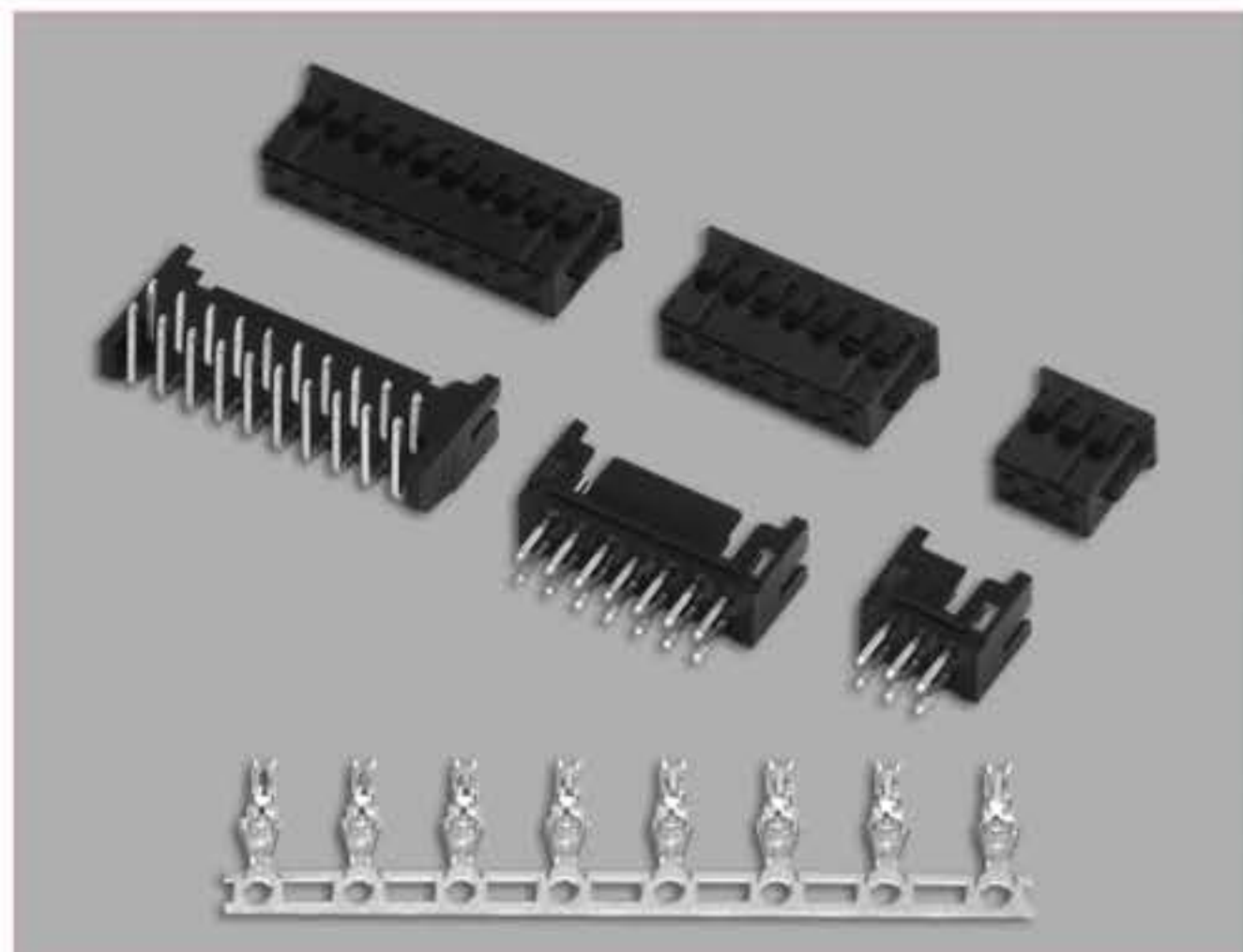


## ■ 技术参数 SPECIFICATIONS

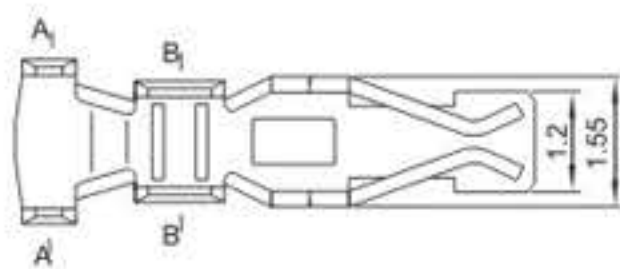
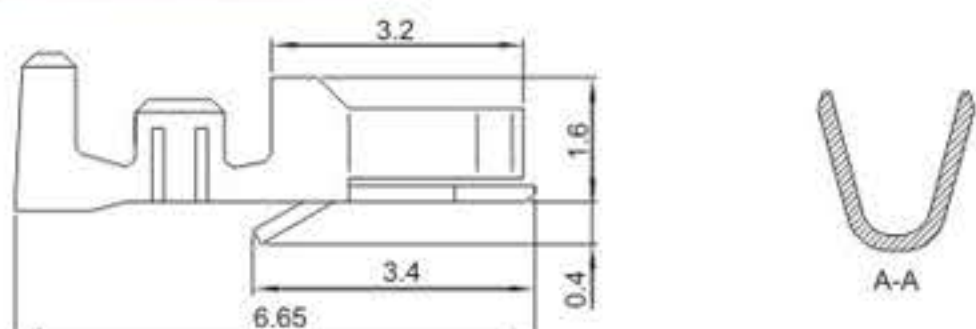
- 线数 (Poles) : 4~34(44)
- 适用线规 (Applicable wires) : AWG28#~22#
- 适应基板厚度 (Applicable PC board thickness) : 1.6mm
- 温度范围 (Temperature range) : -25℃~85℃
- 额定电压 (Voltage rating) : 250V.Ac/Dc
- 额定电流 (Current rating) : 3A
- 接触电阻 (Contact resistance) :  $\leq 0.02\Omega$
- 绝缘电阻 (Insulation resistance) :  $\geq 1000M\Omega$
- 耐压 (Withstand voltage) : 1000V.Ac/1min
- 材料 (Material) :
  - 孔座 (Housing) : 尼龙 (PA66) UL94V-2(0)
  - 针座 (Wafer) : 尼龙 (PA66) UL94V-2(0)
  - 端子 (Terminal) : 磷青铜 (Phos.bronze Tin/plated)



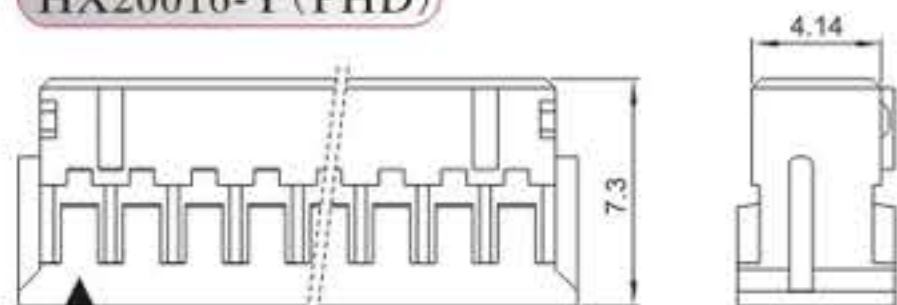
### 端子 TERMINAL (PHD)

型号 Type	适用线规 Applicable wires		电线外径 O.D of wire ins mm	数量 Quantity
	mm <sup>2</sup>	AWG#		
HX20016-PT	0.08-0.33	28-22	1.0-1.5	10000PCS/盘

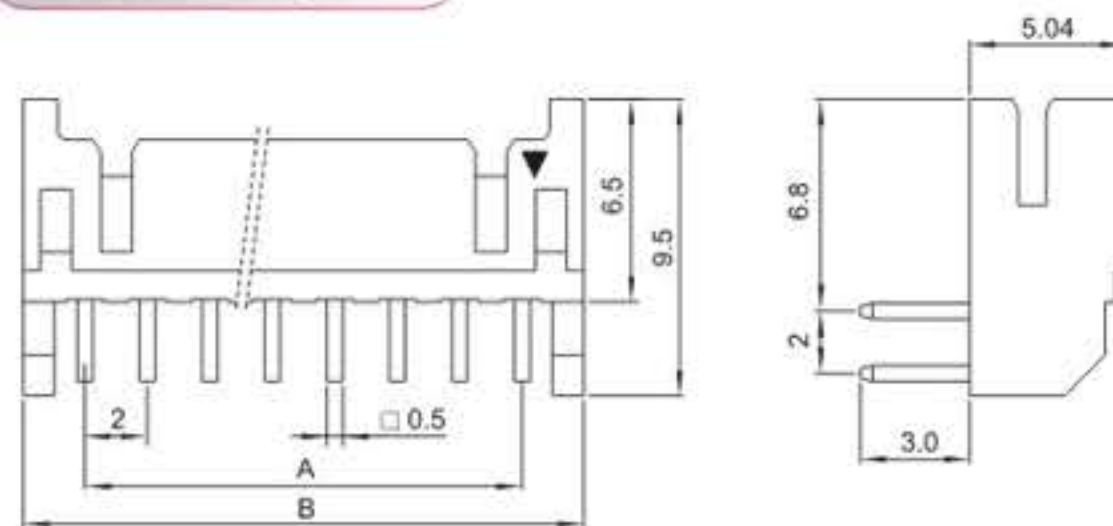
### HX20016-PT (PHD)



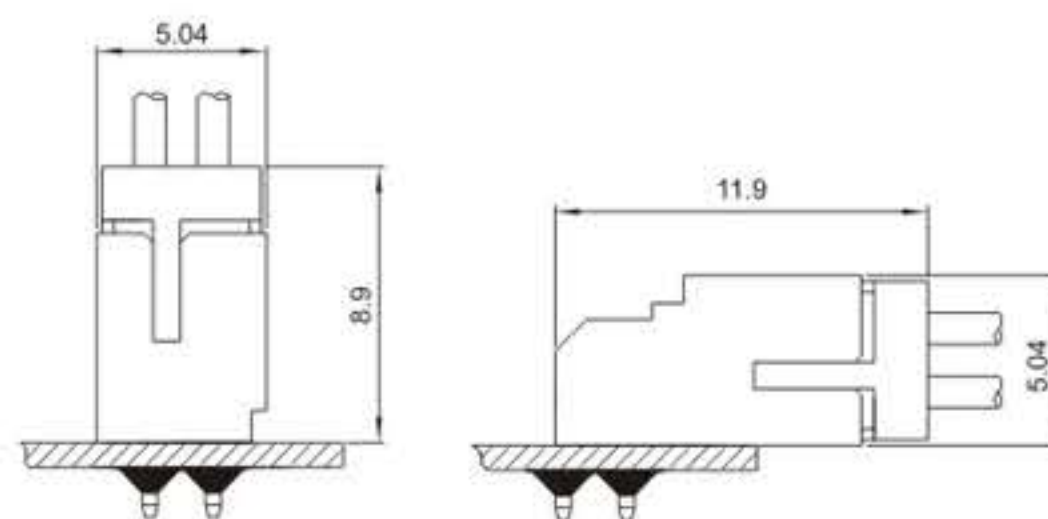
### HX20016-Y (PHD)



### HX20016-WA (PHD)



## ■ 安装尺寸 MOUNTING MEASUREMENT



### 孔座 HOUSING (PHD)

线数 Poles	型号 Type	尺寸Dimensions(mm)		
		A	B	C
4	HX20016-4Y	2.0	4.5	5.9
6	HX20016-6Y	4.0	6.5	7.9
8	HX20016-8Y	6.0	8.5	9.9
10	HX20016-10Y	8.0	10.5	11.9
12	HX20016-12Y	10.0	12.5	13.9
14	HX20016-14Y	12.0	14.5	15.9
16	HX20016-16Y	14.0	16.5	17.9
18	HX20016-18Y	16.0	18.5	19.9
20	HX20016-20Y	18.0	20.5	21.9
22	HX20016-22Y	20.0	22.5	23.9
24	HX20016-24Y	22.0	24.5	25.9
26	HX20016-26Y	24.0	26.5	27.9
28	HX20016-28Y	26.0	28.5	29.9
30	HX20016-30Y	28.0	30.5	31.9
32	HX20016-32Y	30.0	32.5	33.9
34	HX20016-34Y	32.0	34.5	35.9
...	...	...	...	...
44	HX20016-44Y	42.0	44.5	45.9

### 针座 WAFER (PHD)

线数 Poles	型号 Type		尺寸Dimensions(mm)	
	直式 (180°)	弯式 (90°)	A	B
4	HX20016-4A	HX20016-4WA	2.0	6.0
6	HX20016-6A	HX20016-6WA	4.0	8.0
8	HX20016-8A	HX20016-8WA	6.0	10.0
10	HX20016-10A	HX20016-10WA	8.0	12.0
12	HX20016-12A	HX20016-12WA	10.0	14.0
14	HX20016-14A	HX20016-14WA	12.0	16.0
16	HX20016-16A	HX20016-16WA	14.0	18.0
18	HX20016-18A	HX20016-18WA	16.0	20.0
20	HX20016-20A	HX20016-20WA	18.0	22.0
22	HX20016-22A	HX20016-22WA	20.0	24.0
24	HX20016-24A	HX20016-24WA	22.0	26.0
26	HX20016-26A	HX20016-26WA	24.0	28.0
28	HX20016-28A	HX20016-28WA	26.0	30.0
30	HX20016-30A	HX20016-30WA	28.0	32.0
32	HX20016-32A	HX20016-32WA	30.0	34.0
34	HX20016-34A	HX20016-34WA	32.0	36.0
...	...	...	...	...
44	HX20016-44A	HX20016-44WA	42.0	46.0

### HX20016-A (PHD)

