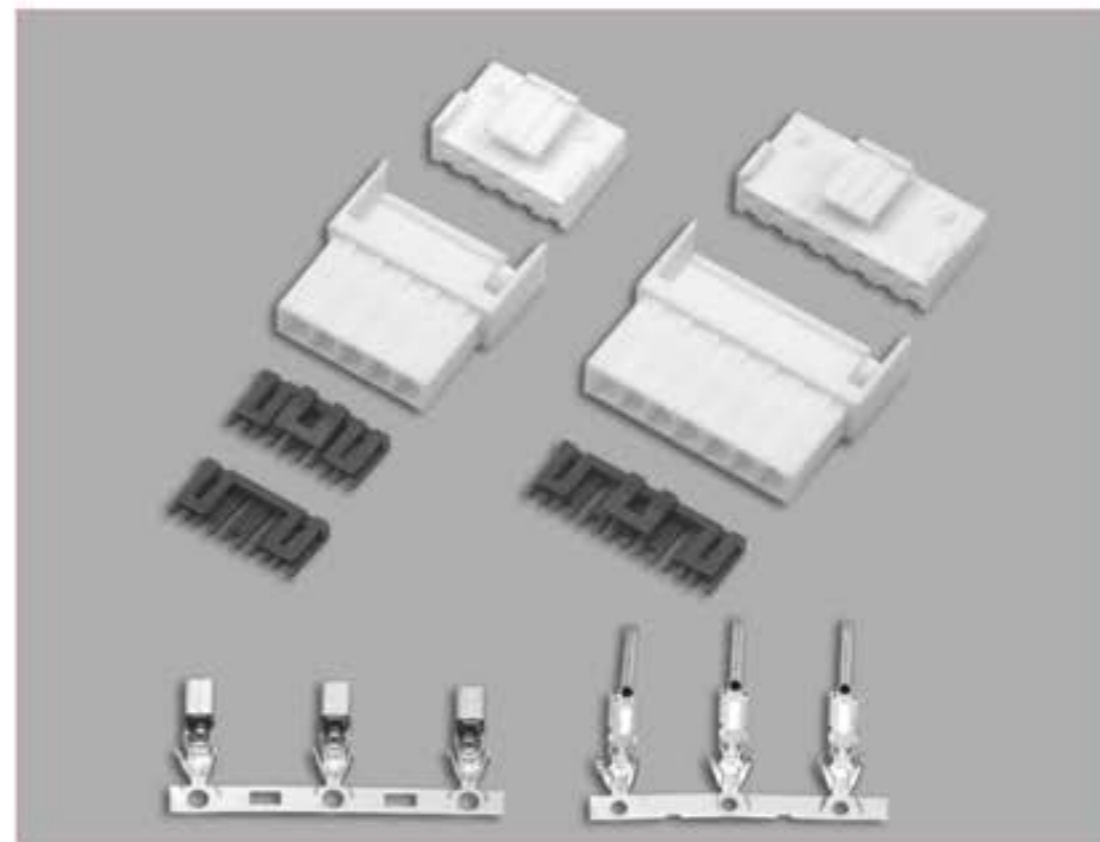


■ 技术参数 SPECIFICATIONS

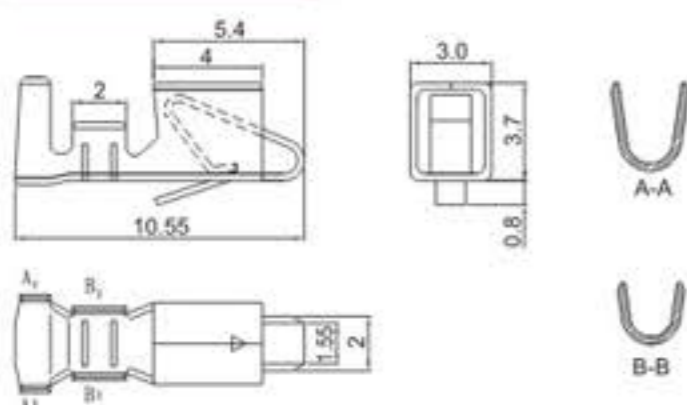
- 线数 (Poles) : 4~15
- 适用线规 (Applicable wires) : AWG26#~18#
- 温度范围 (Temperature range) : -25℃~85℃
- 额定电压 (Voltage rating) : 250V.Ac/Dc
- 额定电流 (Current rating) : 7.5A
- 接触电阻 (Contact resistance) : $\leq 0.015\Omega$
- 绝缘电阻 (Insulation resistance) : $\geq 1000M\Omega$
- 耐压 (Withstand voltage) : 1500V.Ac/1min
- 材料 (Material) :
 - 插头 (Plug Housing) : 尼龙 (PA66) UL94V-2(0)
 - 插座 (Receptacle housing) : 尼龙 (PA66) UL94V-2(0)
 - 插片 (Retainer) : 尼龙 (PA66) UL94V-2(0)
 - 端子 (Terminal) : 磷青铜 (Phos.bronze Tin/plated)



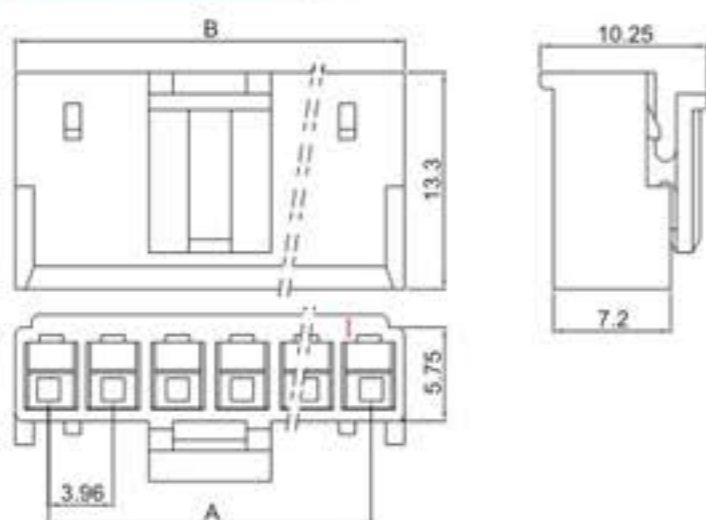
端子 TERMINAL (VH)

型号 Type	适用线规 Applicable wires		电线外径 O.D of wire ins mm	数量 Quantity
	mm ²	AWG#		
HX39600-01PT	0.12~0.35	26~22	1.2~1.8	3000PCS/盘
HX39600-PT	0.33~0.83	22~18	1.7~3.0	3000PCS/盘
HX39600-RT	0.33~0.83	22~18	1.7~3.0	3000PCS/盘

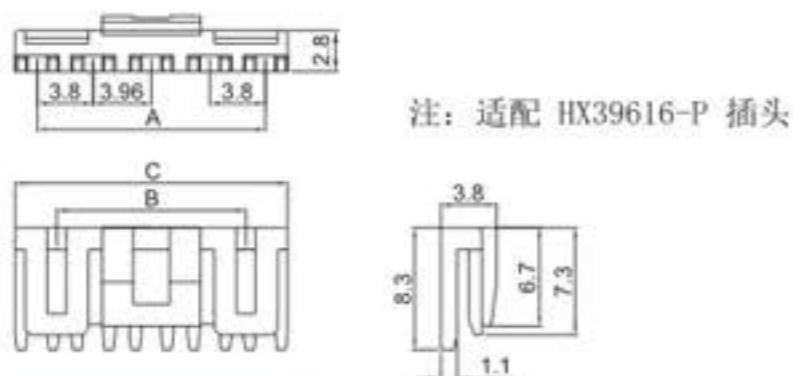
HX39600-PT (VH)



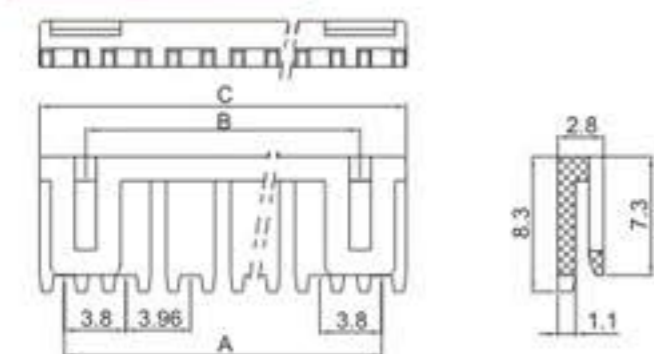
HX39616-P (VHRR)



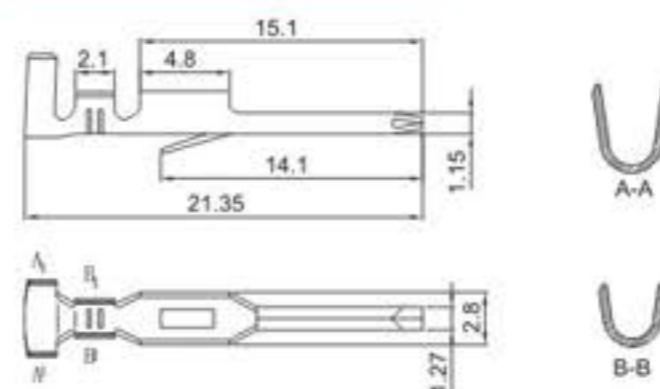
HX39616-HS (VHHS)



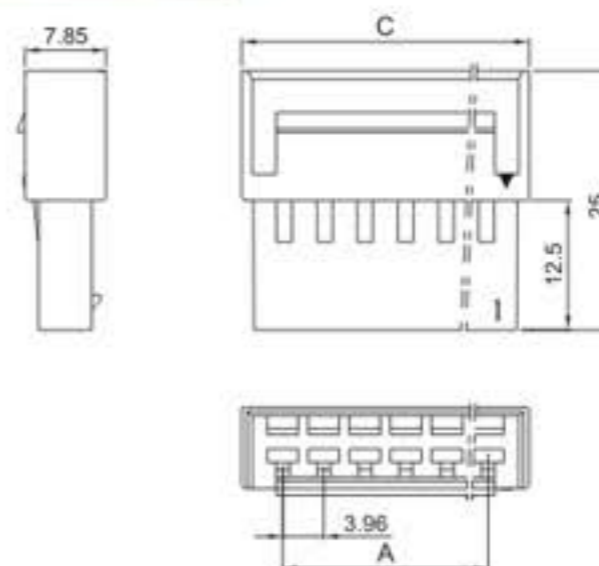
HX39616-S (VHS)



HX39600-RT (VH/SMT396)



HX39616-R (VHRR)



■ 针座: WAFER

针座与 HX39601-A/WA (VH) 型针座通用 (P108)

Wafer is interchangeable with HX39601-A/WA (VH) Wafer (P108)

插头座 HOUSING (VHRR)

线数 Poles	型号 Type	尺寸 Dimensions(mm)		
		A	B	C
4	HX39616-4P/R	11.88	15.98	19.78
5	HX39616-5P/R	15.84	19.94	23.74
6	HX39616-6P/R	19.80	23.90	27.70
7	HX39616-7P/R	23.76	27.86	31.66
8	HX39616-8P/R	27.72	31.82	35.62
9	HX39616-9P/R	31.68	35.78	39.58
10	HX39616-10P/R	35.64	39.74	43.54
11	HX39616-11P/R	39.60	43.70	47.50
12	HX39616-12P/R	43.56	47.66	51.46
13	HX39616-13P/R	47.52	51.62	55.42
14	HX39616-14P/R	51.48	55.58	59.38
15	HX39616-15P/R	55.44	59.54	63.34

插片 RETAINER (VHHS/VHS)

线数 Poles	型号 Type	尺寸 Dimensions(mm)		
		A	B	C
4	HX39616-4HS/S	11.56	8.92	14.56
5	HX39616-5HS/S	15.52	12.88	18.52
6	HX39616-6HS/S	19.48	16.84	22.48
7	HX39616-7HS/S	23.44	20.80	26.44
8	HX39616-8HS/S	27.40	24.76	30.40
9	HX39616-9HS/S	31.36	28.72	34.36
10	HX39616-10HS/S	35.32	32.68	38.32
11	HX39616-11HS/S	39.28	36.64	42.28
12	HX39616-12HS/S	43.24	40.60	46.24
13	HX39616-13HS/S	47.20	44.56	50.20
14	HX39616-14HS/S	51.16	48.52	54.16
15	HX39616-15HS/S	55.12	52.48	58.12