

HSF

NOTES:

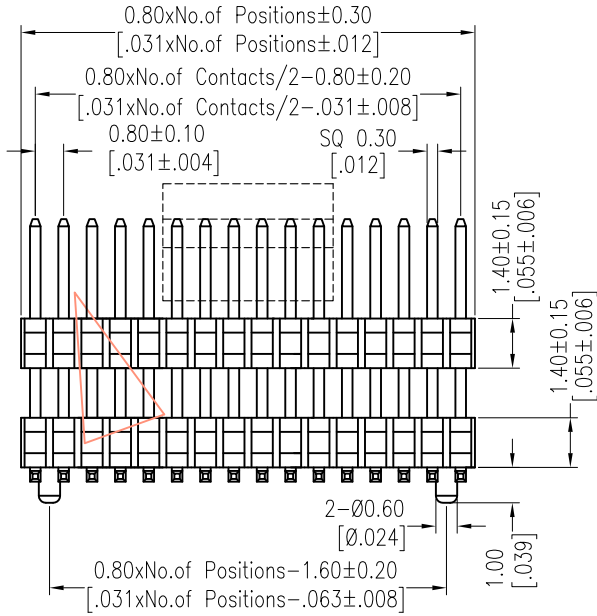
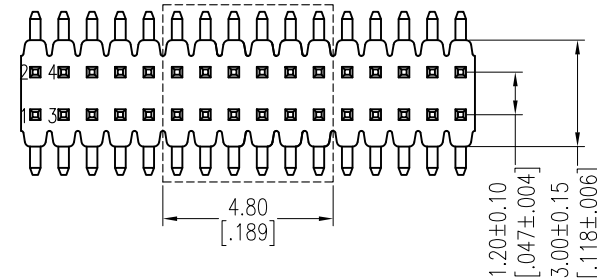
Rated Current:0.75AMP.
 Contact Resistance:30mΩ Max.
 Withstand Voltage:500V AC/DC
 Insulation Resistance:1000MΩ Min.
 Operation Temperature:-40°C to +105°C

Contact Material:Brass
 Contact Plating:Au Over Ni
 Insulator Material:LCP+30%G.F UL94V-0 BK(std)
 or PA9T+33%G.F UL94V-0 BK

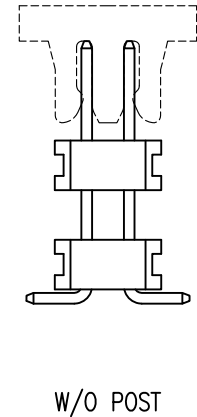
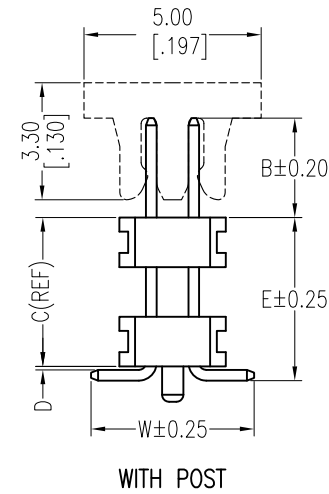
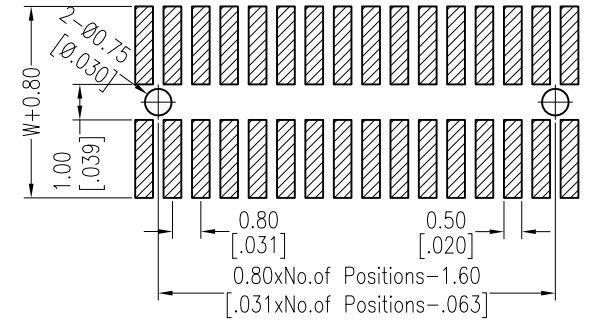
Ordering Information

1614-22 XX XX M XXX X R XX

No. of Pins Per Row: 02-50	Contact Plating G0=Gold Flash G3=10u"Gold G4=15u"Gold G5=30u"Gold SN=Tin SM=Matte Tin	Pin Length L=B+C+D+W ₁ +2	Insulator C=PA9T D=LCP	Series No. 01-99	Packing A=Tray T=Tube P=Tube+CAP R=Tape&Reel+CAP
-------------------------------	---	---	------------------------------	---------------------	--



Recommended P.C.B Layout (Top Side) (PCB BOARD TOLERANCE±0.05)



Item	Pin Length	W	D	B	E
Standard	--	4.60	0.10	2.80	--
Alternate					

REV	DATE	MODIFICATION DESCRIPTION	CHANGE	OPERATION	DRAW	DATE	SCALE	Fit	PART NO.
				x.X ±0.40	William Chen	2018/01/04	UNIT	mm [inch]	1614-22XXXXMXXXXXX
A1	2018/01/04	MODIFY PART NO.	----	x.XX ±0.25	CHECK	DATE	SIZE	A4	TITLE: 0.80*1.20 Pin Header,DUAL ROW, DOUBLE PLASTIC, SMT, H=1.4
A0	2012/02/28	NEW	-----	x.XXX ±0.15	APPROVE	DATE	SHEET	1/1	Customer NO.
				Angle ± 3'			PROJ.		
				DIM TOL					