

# HSF

**TECHNICAL SPECS:**

Current Rating: 3.0AMP  
 Contact Resistance: 10m Ω Max  
 Dielectric Strength: Min 1000Vrms  
 Mechanical Life: Min 500 cycles  
 Mating Pin:  $\varnothing 0.7$  to  $\varnothing 0.9$ mm or 0.635SQ  
 Forces: (polished steel gauge  $\varnothing 0.76$ mm)  
 Insertion: 150g Max/Pin, Withdrawal: 30g Min/Pin  
 Operation Temperature:  $-40^{\circ}\text{C}$  to  $+105^{\circ}\text{C}$

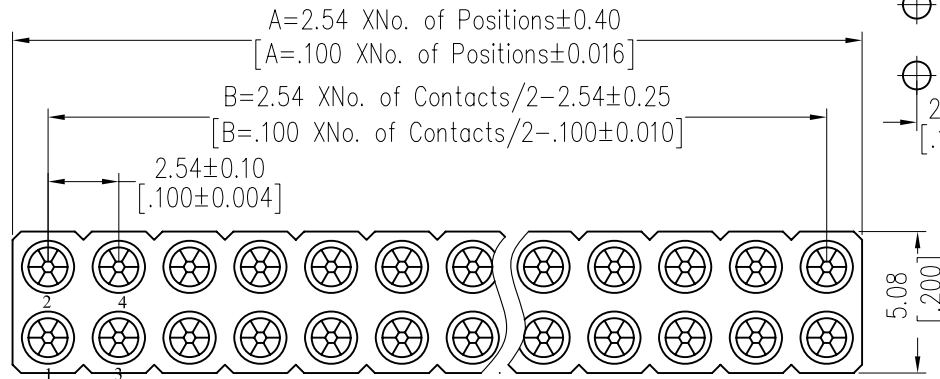
Sleeve: Brass CuZn36Pb3(C36000)  
 Contact Clip(6 finger): BeCu(C17200)  
 Insulator Material: PPS+30%G.F(UL94V-0)

## Ordering Information

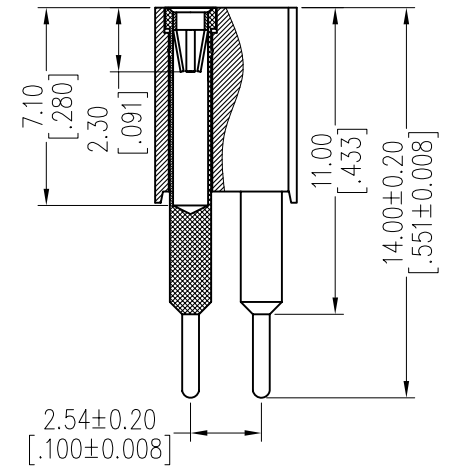
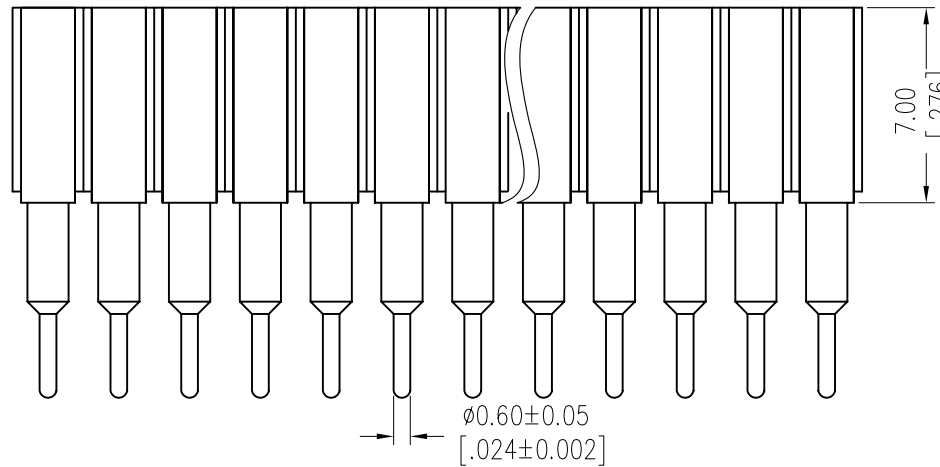
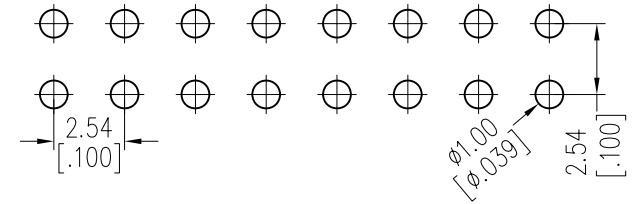
3521-702 XX S XX 140 X 1

No. of Pin 2~50PIN	Contact Plating S0=Gold Flash/Tin S3=10u"Gold/Tin S4=15u"Gold/Tin S5=30u"Gold/Tin SN=Tin	Packing A=Tray T=Tube
-----------------------	---	-----------------------------

Item	Pitch	Mating
Standard	2.54	3511
Alternate		



Recommended P.C.B Layout(Top Side)  
 (PCB BOARD TOLERANCE  $\pm 0.05$ )



OPERATION	DRAW	DATE	SCALE	FIT	PART NO.
x.x ±0.40	JYHuang	2012/10/18	UNIT	mm	3521-702XXSXX140X1
x.xx ±0.25	CHECK	DATE	SIZE	A4	TITLE: 2.54mm MACHINED FEMALE HEADER DUAL ROW 180° H=7.00 L=14.0
x.xxx ±0.15	APPROVE	DATE	SHEET	1/1	Customer NO.
Angle ± 3°			PROJ.		
DIM TOL					

REV	DATE	MODIFICATION DESCRIPTION	CHANGE
AO	2012/10/18	NEW	-----