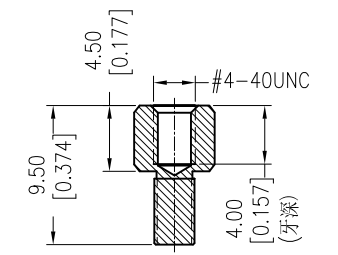
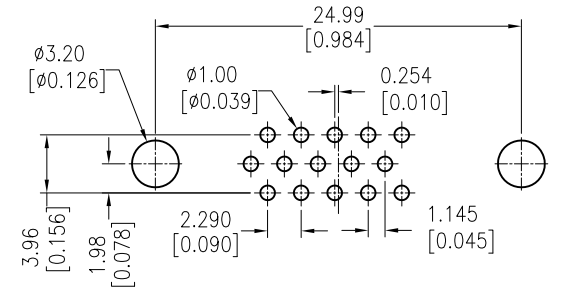
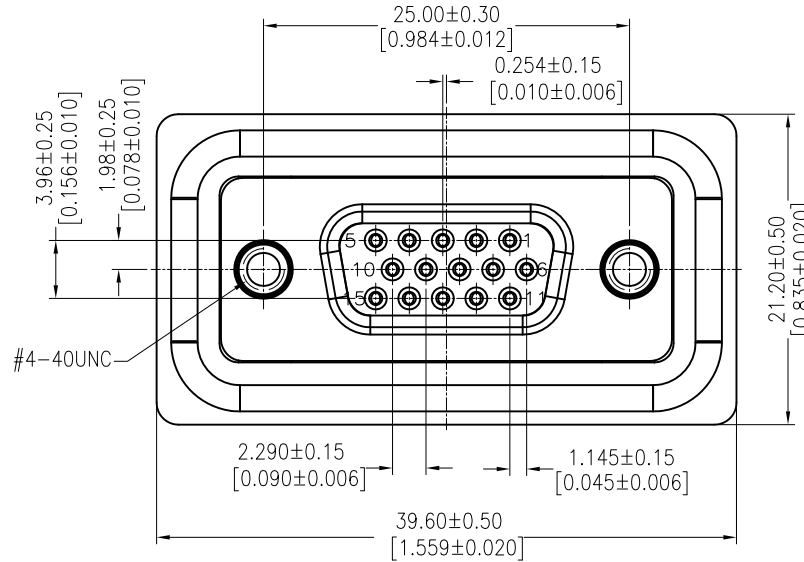


HSF

NOTES:

1. ELECTRICAL:
 - 1.1 CONTACT CURRENT RATING: 3 AMPERES
 - 1.2 CONTACT RESISTANCE: 10 MILLIOHMS MAX.
 - 1.3 DIELECTRIC WITHSTANDING VOLTAGE: 800V AC FOR 1MINUTE
 - 1.4 INSULATION RESISTANCE: 5000 MEGOHMS MIN AT 500V DC
2. MECHANICAL:
 - 2.1 INSERTION FORCE: 340 g/f MAX
 - 2.2 SEPARATION FORCE: 21 g/f MIN
 - 2.3 SCREW COUNTER TORSION FORCE: 5.0 KgF.cm MIN.
3. ENVIRONMENTAL:
 - 3.1 TEMPERATURE RATING: -40°C TO +85°C.
 - 3.2 WATERPROFF CLASS: IP67
 - 3.3 AIRPROOF CAPABILITY: PRESSURE DROP 0.3 KPa MAX. AT 52.2 KPa FOR 3 MINUTE.
4. ALL MATERIALS SHOULD BE COMPLIANT TO ROHS

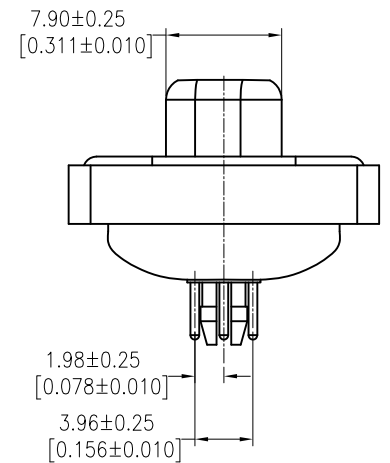
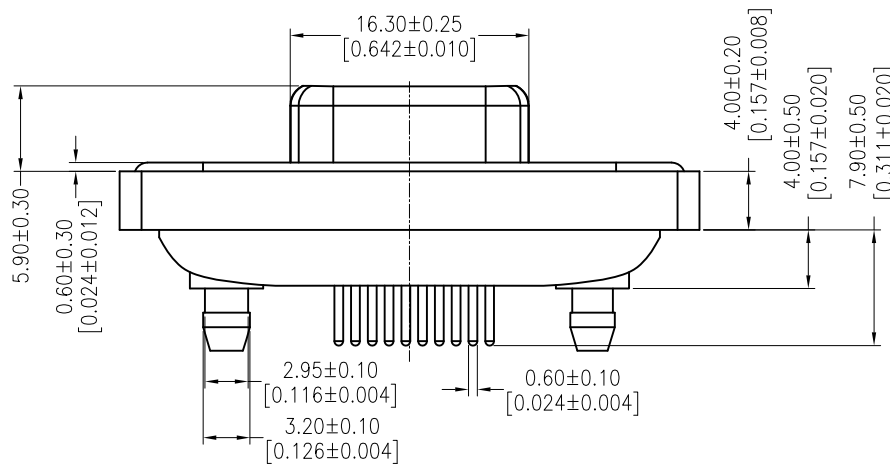
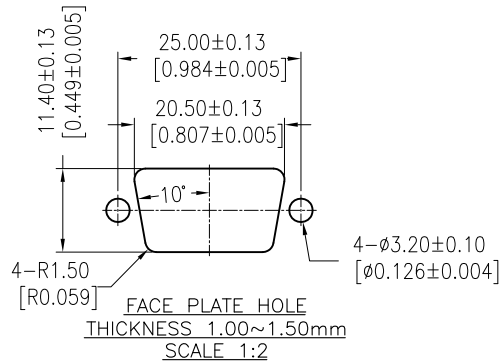
Recommended P.C.B Layout (Top Side)
(PCB BOARD TOLERANCE ± 0.05)



Ordering Information

6245-15 F Y XX F B N 2

No. of Pins	Contact Plating	Waterproof Circle	Color	N=Without Cap
15	G0=Gold Flash G3=10u"Gold G4=15u"Gold G5=30u"Gold	F=With Front Waterproof Circle B=With Back Waterproof Circle	B=Black W=With Cap	W=With Cap



REV	DATE	MODIFICATION DESCRIPTION	CHANGE	OPERATION		DRAW	DATE	SCALE	FIT	PART NO.
				X.X	±0.40					
				X.XX	±0.25	Tsingsn	2013/08/02	UNIT	mm	6245-15FYXXFBN2
				X.XXX	±0.15	CHECK	DATE	SIZE	A4	
A0	2013/08/02	NEW		Angle	± 3'	APPROVE	DATE	SHEET	1/1	TITLE:
				DIM	TOL			PROJ.	Customer NO.	D-SUB 15P FEMALE THREE ROWS 180° DIP TYPE WITH WATERPROFF