

# HSF

## Specification

- 1.Current Rating:1.5AMP
- 2.Contact Resistance:30mΩ max
- 3.Insulation Resistance:1000MΩ min
- 4.Dielectric Withstanding Voltage:500V R.M.S
- 5.Temperature Rating:-40℃ to +85℃

## Mechanical Characteristics:

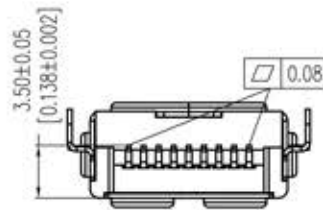
- 6.Mating Force:3.57kg.min
- 7.Mating Force:1.02kg.min
- 8.Durability:Mandatory:5000 Cycles

Contact:Phosphor Bronze(T=0.20mm)  
 Insulator:LCP+30%GF(UL94V-0)  
 Shell:Brass(T=0.30mm)

## Ordering Information

6112-09 A F C M XX UN AX

Contact Plating	Plating	Packing:	Series No.
S0=Gold Flash/Tin	B=Black	A=Tray	1:TYPE1
S1=3u"Gold/Tin	W=White	R=Reel	2:TYPE2
S2=5u"Gold/Tin	U=Blue		3:TYPE3
S3=10u"Gold/Tin	R=Red		
S4=15u"Gold/Tin			
S5=30u"Gold/Tin			



3: TYPE3 (鱼叉脚)

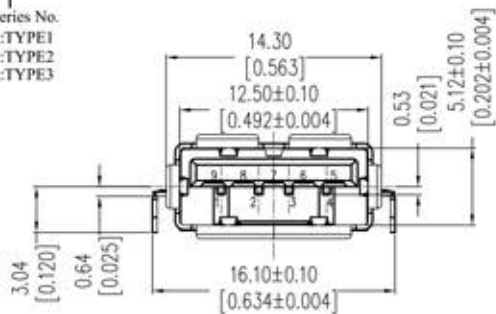
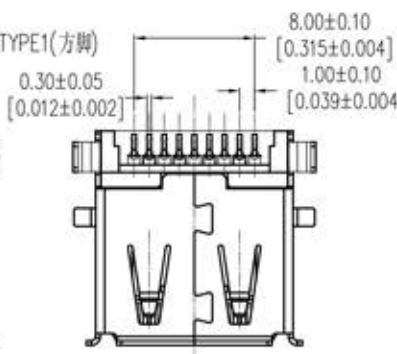
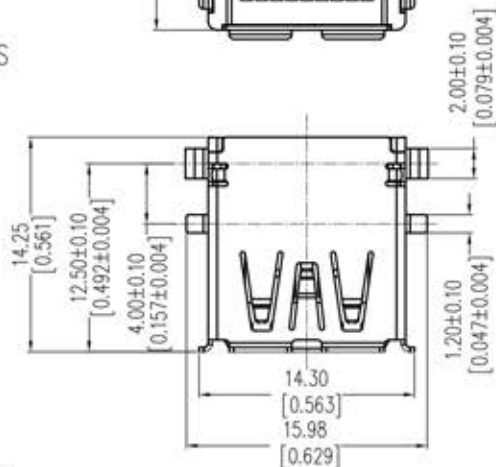
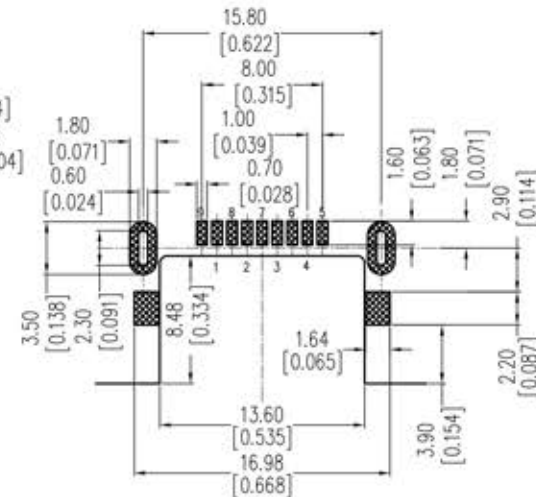


2: TYPE2 (方脚带凸包)



1: TYPE1(方脚)

Recommended P.C.B Layout(Top Side)  
 (PCB BOARD TOLERANCE±0.05)



				OPERATION	DRAW	DATE	SCALE	FIT	PART NO.
				X.X ±0.40	JYHuang	2012/06/30	UNIT	mm	6112-09AFCMXXXNAX
				X.XX ±0.25	CHECK	DATE	SIZE	A4	TITLE:
				X.XXX ±0.15	APPROVE	DATE	SHEET	1/1	USB3.0A-TYPE FEMALE 90° SMT
A0	2012/06/30	NEW		Angle ± 3'			PROJ.	Customer NO.	SINK STYLE3.50mm
REV	DATE	MODIFICATION DESCRIPTION	CHANGE	DIM TOL					