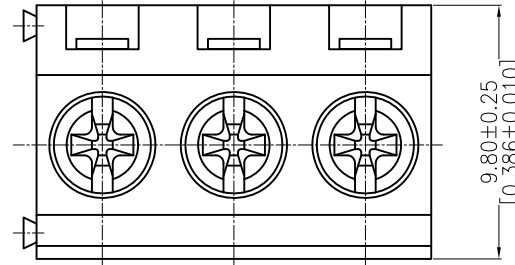
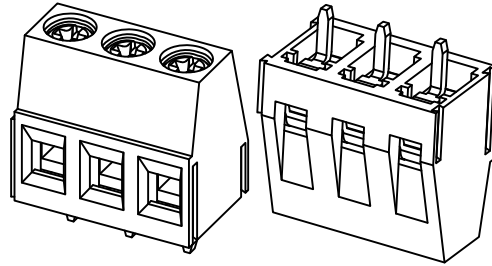


# HSF

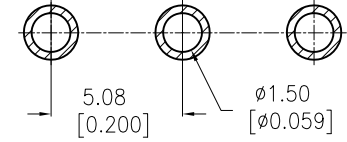
**NOTES:**

Rated Current:15 AMP  
 Rated Voltage:300 V  
 Contact Resistance:8 mΩ max  
 Withstand Voltage:2500 V AC/DC  
 Insulation Resistance:1000 MΩ min  
 Operation Temperature:-40°C to +105°C  
 Screw Torque:4.5 lbf.in  
 Wire Range:12~30 AWG

Screw Material:Steel  
 Pin Block Material:Brass  
 Cite Feet Material:Brass  
 Cite Feet Plating:Matte Tin Plated Over Nickel  
 Insulator Material:PA66 UL94 V-0



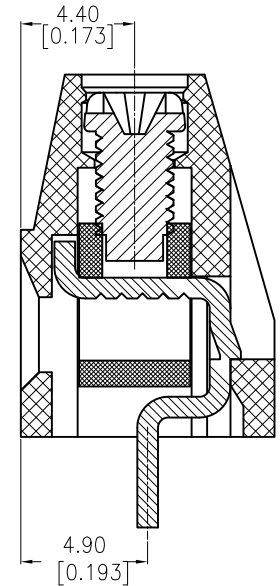
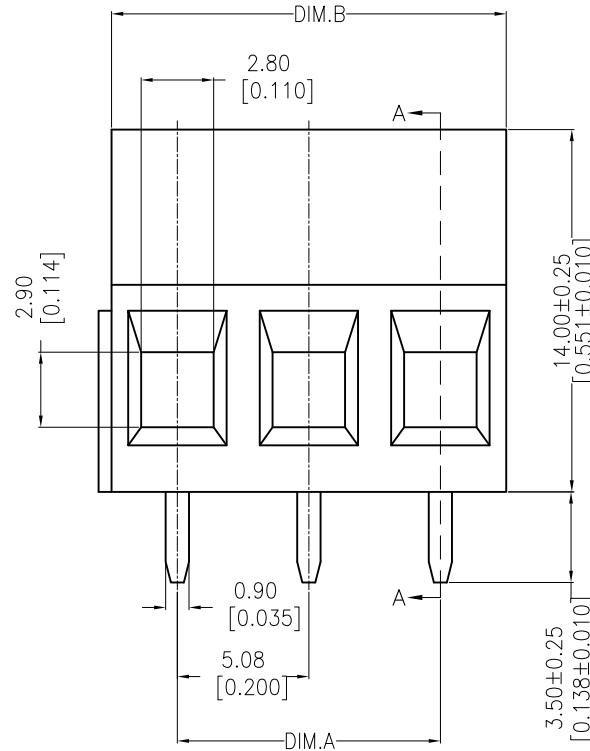
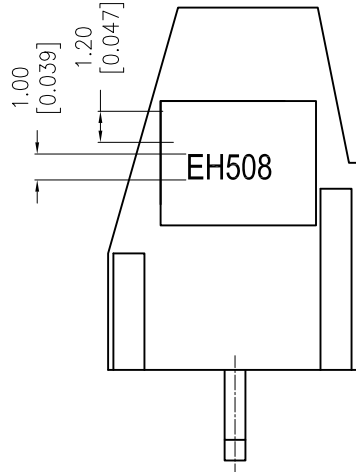
Recommended P.C.B Layout(Top Side)  
 (PCB BOARD TOLERANCE±0.05)



**Ordering Information:**

**E H 508 - 140 S XX A SM 1**

Pieth 508=5.08    Housing High 140=14.00    No.of Pins 02-03P    Color A=Green    Contact Plated SM=Matte Tin



SECTION A-A



3P	10.16	15.24
2P	5.08	10.16
PIN	A	B

REV	DATE	MODIFICATION DESCRIPTION	CHANGE	OPERATION	DRAW	DATE	SCALE	FIT	PART NO.
A2	2013/07/08	Modify	△△	X.X ±0.40	Tsingsn	2013/07/08	UNIT	mm	EH508-140SXXASM1
A1	2013/04/25	Modify	△△	X.XX ±0.25	CHECK	DATE	SIZE	A4	
A0	2013/02/04	NEW	—	X.XXX ±0.15	APPROVE	DATE	SHEET	1/1	5.08mm Pitch
				Angle ± 3'			PROJ.	Customer NO.	Euro Terminal Blocks
				DIM TOL					