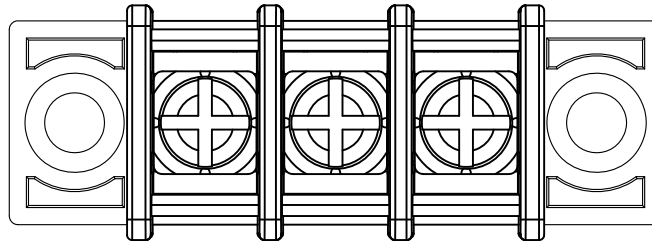


HSF

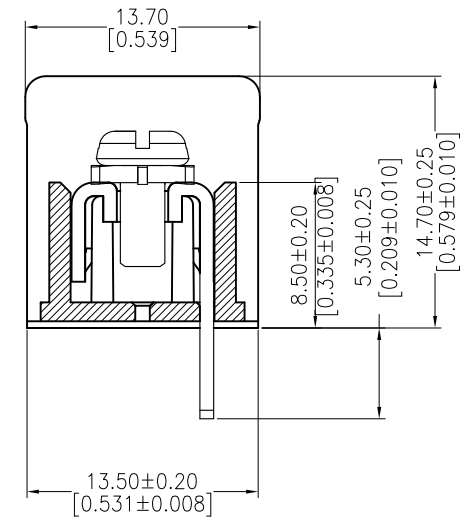
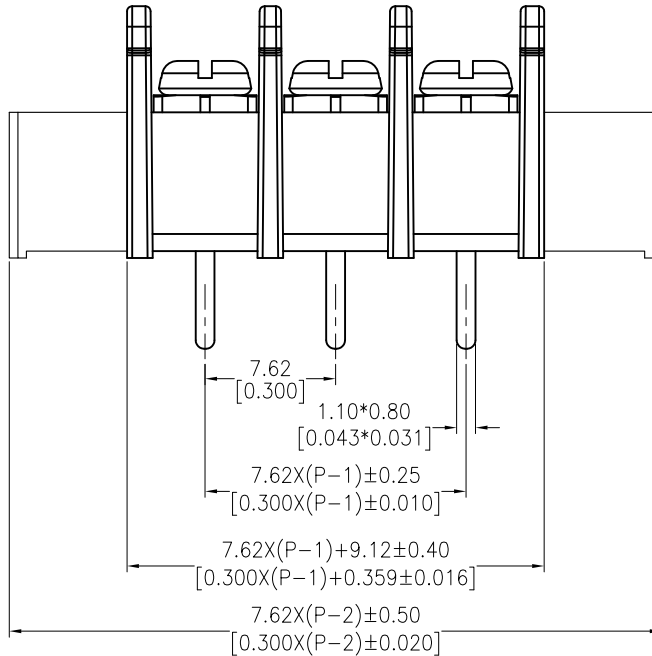
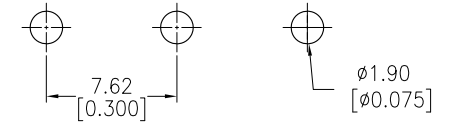
NOTES:

Rated Current:10 AMP
 Rated Voltage:300 V
 Contact Resistance:15 mΩ max
 Withstand Voltage:2000 V AC/DC
 Insulation Resistance:500 MΩ min DC500V
 Operation Temperature:-40°C to +105°C
 Torque value: 0.5N.m
 Operation Temperature:-40°C to +105°C
 Storage Temperature:-10°C to +40°C

Insulator Material:PA66 +25%GF(UL94 V-0)
 Terminal Material:Brass
 Terminal Plating:Sn Plated Over Nickel
 Screw material:C1018A
 Screw Plated: Ni Plating



Recommended P.C.B Layout(Top Side)
 (PCB BOARD TOLERANCE±0.05)



Ordering Information:

BH762- XX S XX X W N 02 N

No.of Pins: 02-33P
 Contact Plated: SN=Bright Tin
 Color: B=Black
 Contact Plated: N=Without CAP

REV	DATE	MODIFICATION DESCRIPTION	CHANGE	OPERATION		DRAW	DATE	SCALE	FIT	PART NO.
				X.X	±0.40					
				X.XX	±0.25	Allen	2015/09/16	UNIT	mm	BH762-XXSXXWN02N TITLE: 7.62 Pitch, Single-Row, B Type, W=13.50, H=14.70 Barrier Terminal Blocks
				X.XXX	±0.15	CHECK	DATE	SIZE	A4	
				Angle	± 3'	APPROVE	DATE	SHEET	1/1	
				DIM	TOL			PROJ.	☞	Customer NO.