

HSF

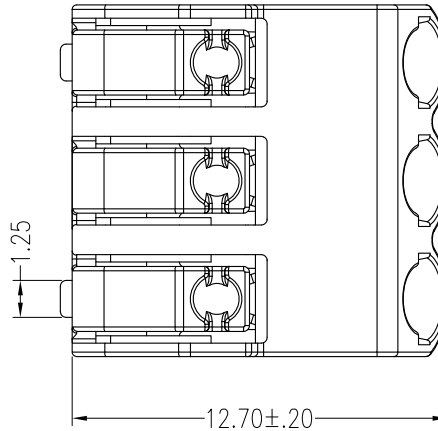
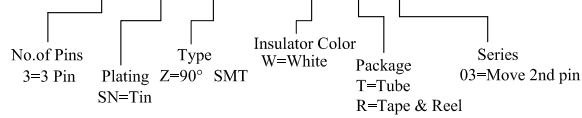
NOTES:

Rated Current: 3.0~9.0 AMP.
 Contact Resistance: 20mΩ Max.
 Withstand Voltage: 250V
 Insulation Resistance: 1000MΩ Min.
 Operation Temperature: -40°C to +105°C
 Applicable Wire Range:
 (Outside Wire Insulation: 2.1mm Diameter MAX.)
 - Solid Wire: AWG #24~#18
 - Strand Wire: AWG #22~#20

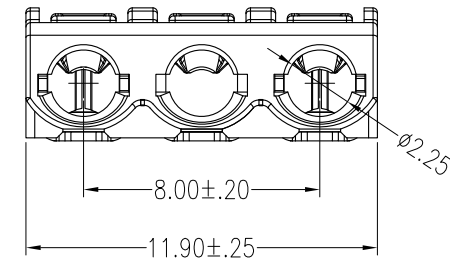
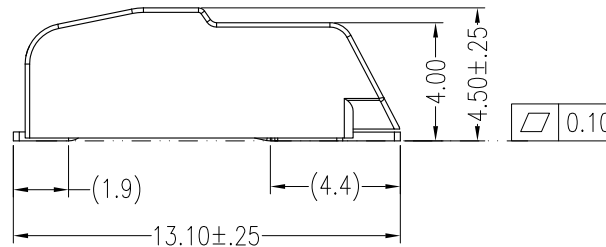
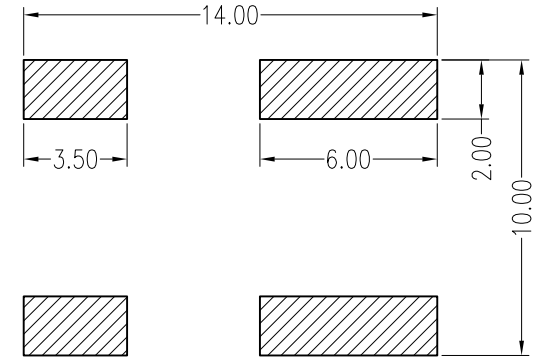
Contact Material: Phosphor Bronze
 Contact Plating: Sn over Ni
 Main Body Material: PA46 +15%G.F

Ordering Information

L402 - 3 - XX Z 450 X X 03



Recommended P.C.B Layout (Top Side)
 (PCB BOARD TOLERANCE ±0.05)



				OPERATION	DRAW	DATE	SCALE	1:1	PART NO.
				X.X ±0.40	Allen	2015/09/10	UNIT	mm	L402-3-XXZ450XX03
				X.XX ±0.25	CHECK	DATE	SIZE	A4	TITLE:
				X.XXX ±0.15			SHEET	1/1	4.0Pitch LED CONN. H=4.50 Move 2nd pin
A0	2015/09/10		NEW	Angle ± 3'	APPROVE	DATE	PROJ.		Customer NO.
REV	DATE		MODIFICATION DESCRIPTION	DIM TOL					